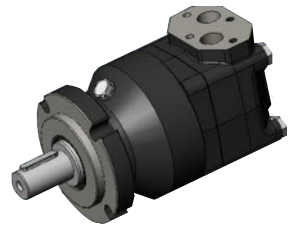




MTAB SERIES

SAE B Mounting Flange



HYDRAULIC MOTOR
HIGH TORQUE - LOW SPEED

TYPE		MTAB SERIES						
MOTOR SIZE		130	160	200	250	300	400	500
DISPLACEMENT	cm ³	142	161	201	250	330	411	524
	in ³	8.6	9.8	12.3	15.2	20.2	25.1	32.0
MAX. SPEED	rpm cont.	725	625	625	500	380	300	240
	rpm int.	825	780	750	600	460	360	285
MAX. TORQUE	Nm cont.	375	470	590	730	770	1080	1220
	lbf.in cont.	3320	4160	5220	6460	6815	9560	10800
	Nm int.	470	560	710	880	900	1260	1370
	lbf.in int.	4160	4960	6280	7790	7965	11150	12130
MAX. PRESSURE DROP	bar cont.	200	200	200	200	160	120	105
	psi int.	2900	2900	2900	2900	2320	1740	1522
	bar int.	240	240	240	240	200	140	120
	psi int.	3480	3480	3480	3480	2900	2030	174.0
MAX. OIL FLOW	lpm cont.	102	100	125	125	125	125	125
	gpm cont.	22.5	22.0	27.5	27.5	27.5	27.5	75.5
	lpm int.	116	125	151	149.4	152.0	148.0	151.0
	gpm int.	25.6	27.6	33.3	33.0	33.5	32.5	33.0
MTAB	WEIGHT kg	23.5	24.0	24.5	25.0	26.0	27.0	28.0

Maximum inlet pressure 4350 psi - 300 bar
High pressure shaft seal drain line not required for most applications.

Maximum pressure drop and speed must not be reached simultaneously.
Intermittent operation may occur for 10% max. of every minute.

At speeds lower than 10 rpm please consult our Technical Department.

Mineral based hydraulic fluids with anti-wear additives are recommended with a viscosity of 35 mm²/s at a temperature of 50 C.

Minimum recommended oil viscosity 13 mm²/s at operating temperature.

Recommended oil cleanliness ISO 19/14 with a nominal filtration of 25 micron or better.

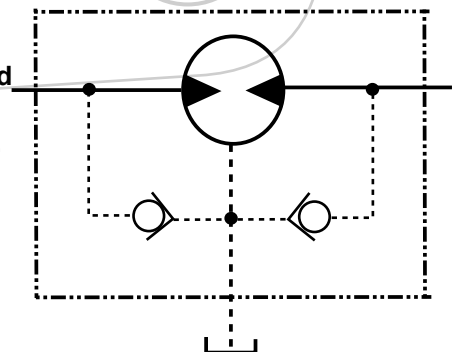
Where non-flammable fluids are to be used it is advisable to consult our Technical Department.

Ambient temperature should be between -30°C and +90°C.

Normal operating temperature should be between +30°C and +60°C.

Maximum operating temperature +85°C.

SYMBOL



The policy of Adan Limited is one of continual development and the right is reserved to alter specifications without notice.



ADAN LIMITED

RIVERSIDE INDUSTRIAL ESTATE, BOSTON, LINCOLNSHIRE, ENGLAND

Tel: +44 (01205) 311500

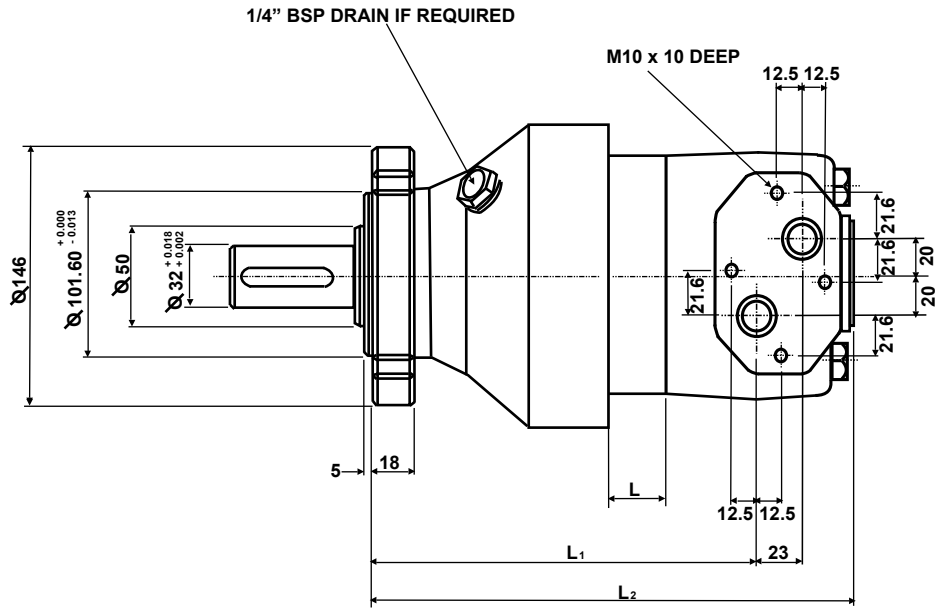
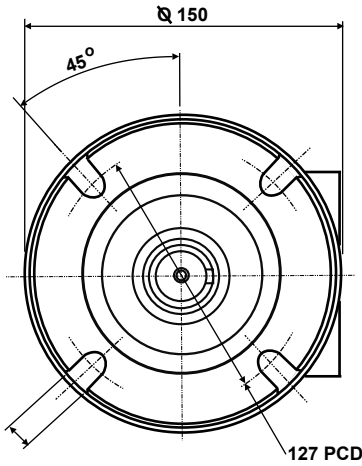
Fax: +44 (01205) 358013

e mail: sales@adanltd.co.uk

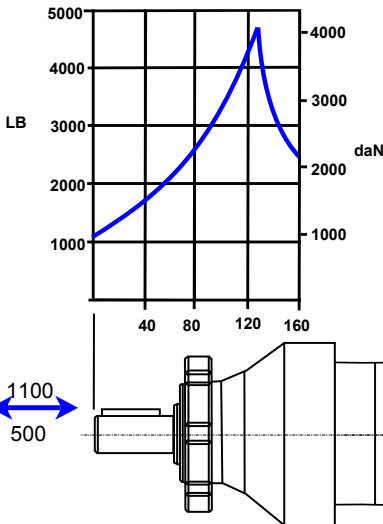
website: www.adanltd.co.uk



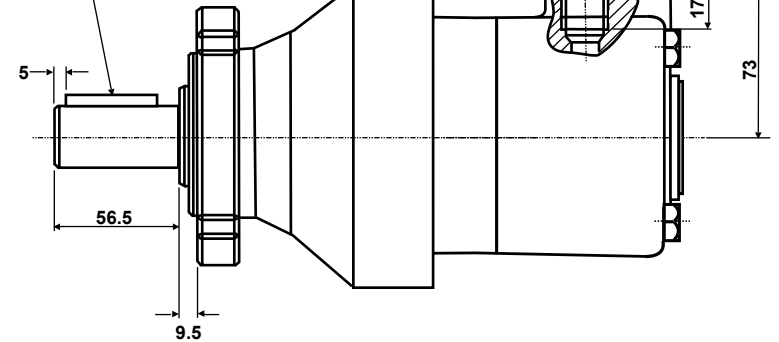
MTAB



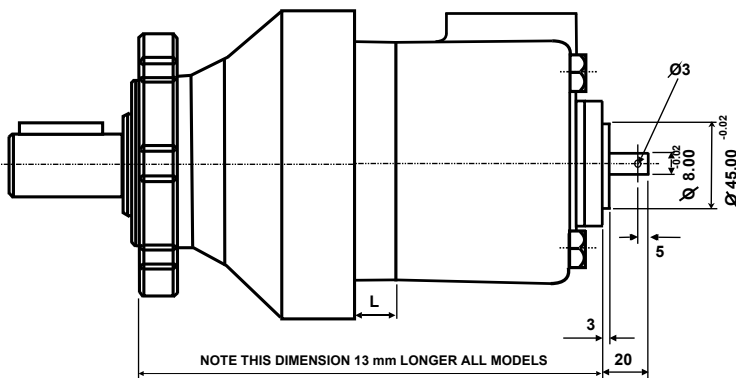
SHAFT LOADINGS



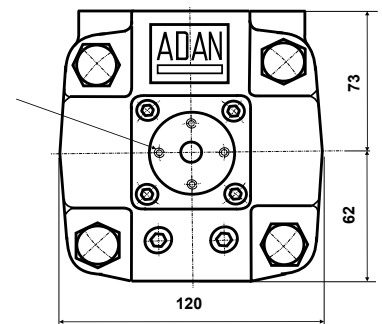
KEY 10 x 8 x 45



TA



4 MOUNTING HOLES
TAPPED M5 x 8 DEEP
ON 34 PCD



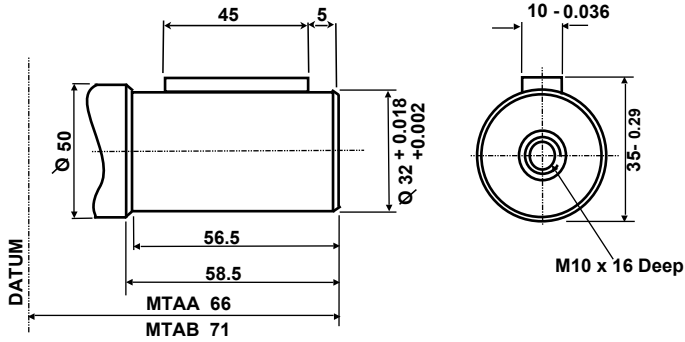
For shaft variations see Page 3
For Performance Graphs see Pages 4 - 7

MTAB SERIES	130	160	200	250	300	400	500
DIM L mm	12	15	20	26	36	46	60
DIM L 1 mm	161	163	168	172	184	194	208
DIM L 2 mm	212	214	219	225	235	245	259

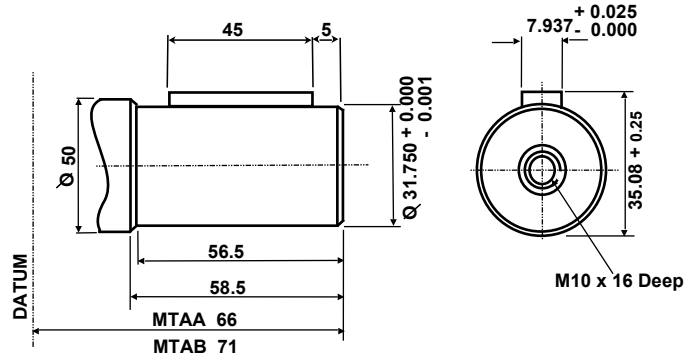
SHAFT DIMENSIONS

MTAB SERIES

32 mm Shaft - P



1 1/4" Shaft - U

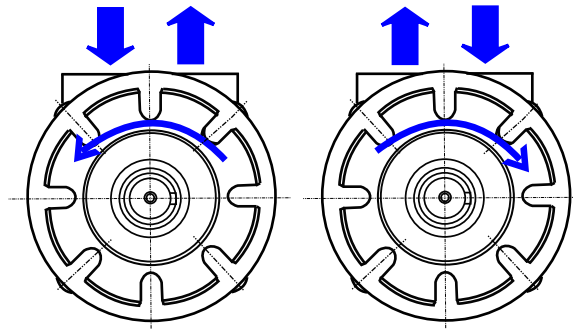


TORQUE LIMITATIONS FOR SHAFTS TYPE 'P' & 'U'
 850 Nm Continuous 1000 Nm Intermittent

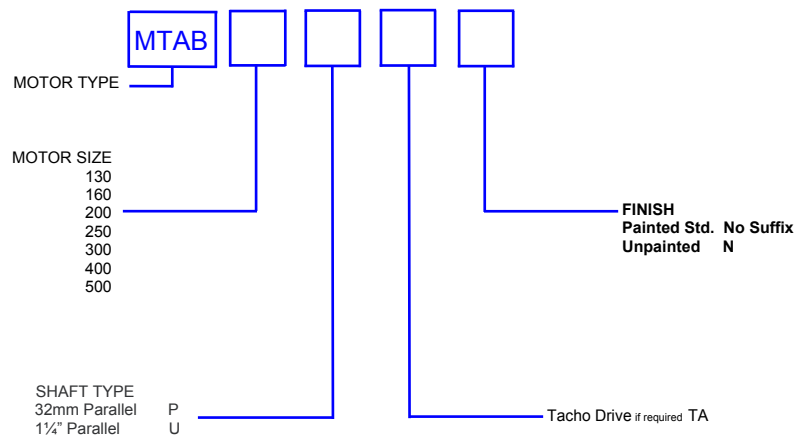
GENERAL DATA

MTAB SERIES

SHAFT ROTATION



ORDERING CODE



The policy of Adan Limited is one of continual development and the right is reserved to alter specifications without i



ADAN LIMITED

RIVERSIDE INDUSTRIAL ESTATE, BOSTON, LINCOLNSHIRE, ENGLAND

Tel: +44 (01205) 311500

Fax: +44 (01205) 358013

e mail: sales@adanltd.co.uk

website: www.adanltd.co.uk

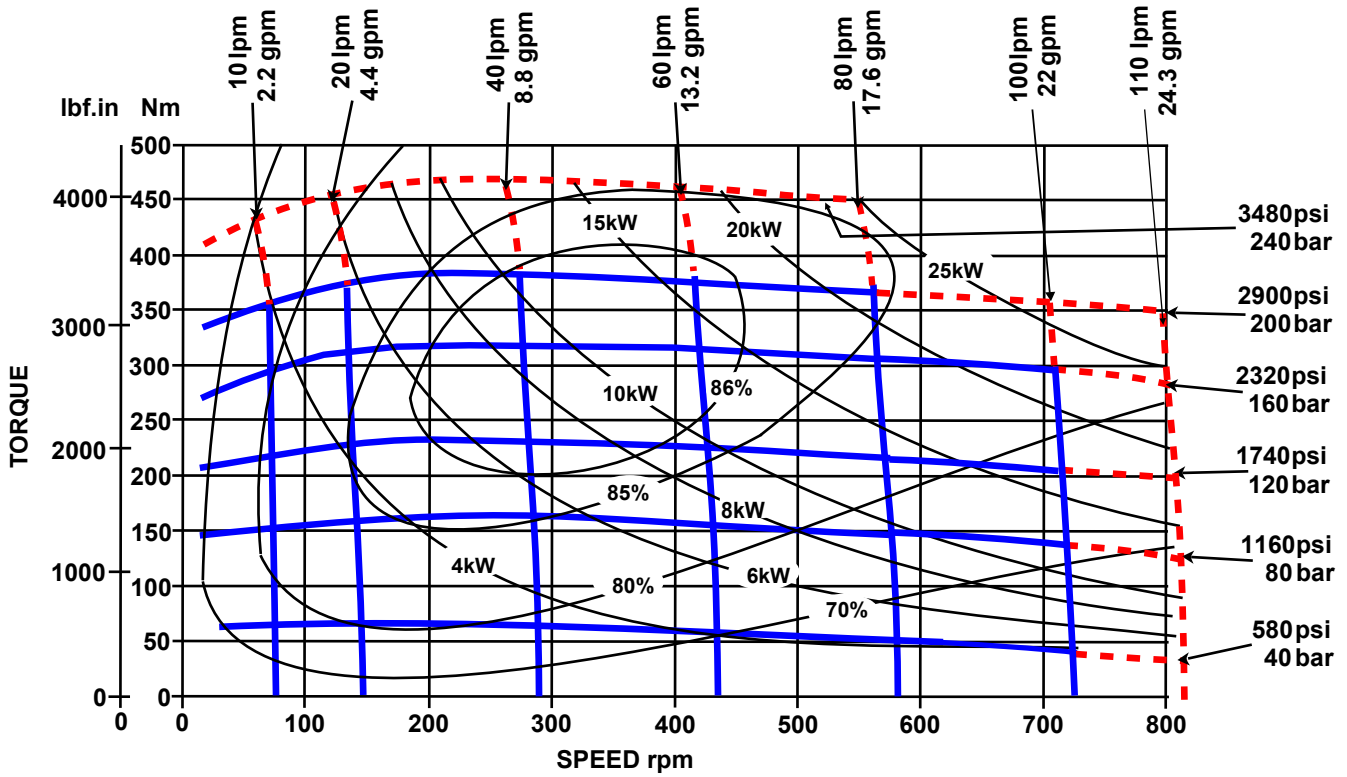


PERFORMANCE GRAPHS 130 & 160 cc MT SERIES

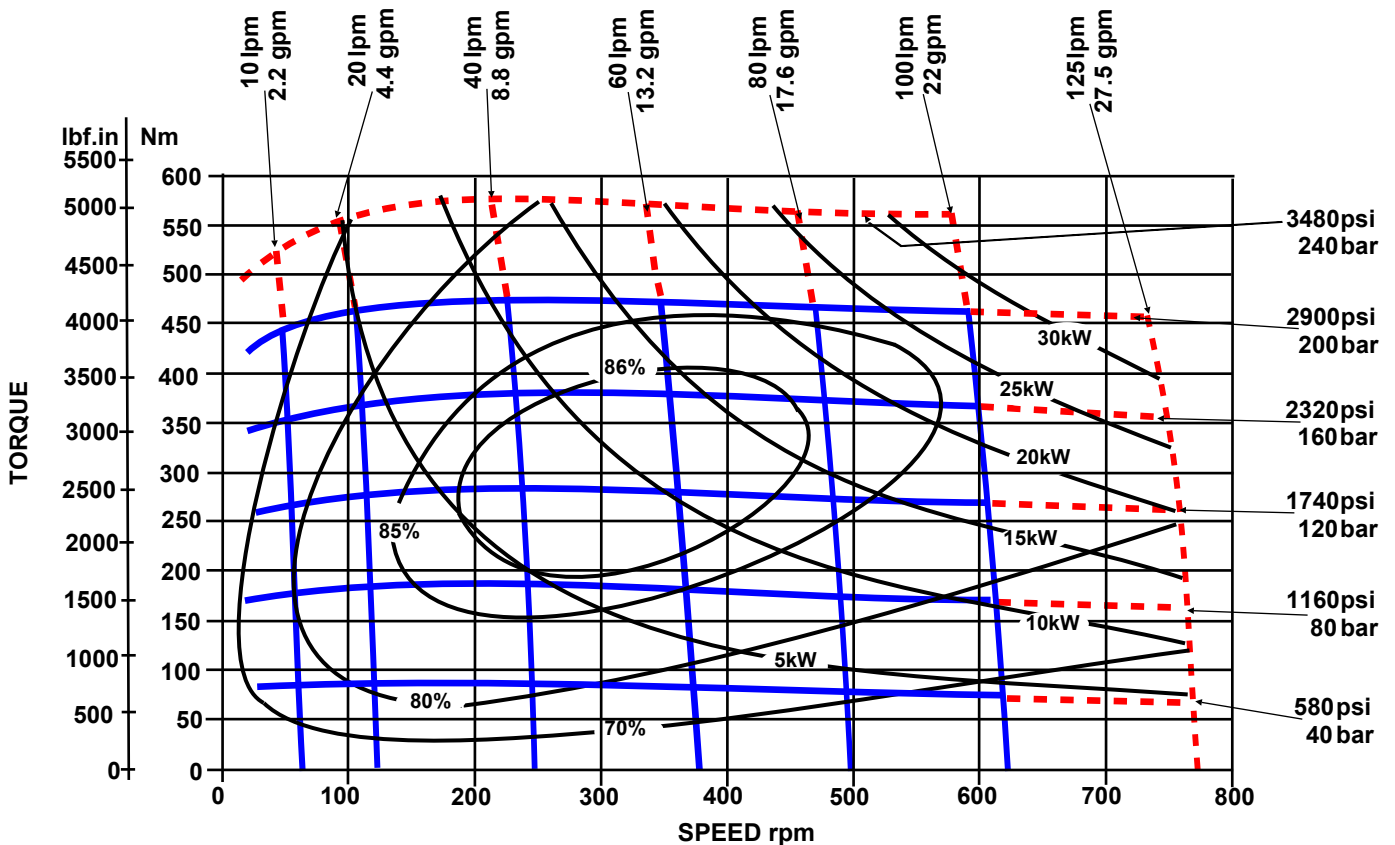
Solid blue lines represent continuous operation. Dotted red lines represent intermittent operation permissible for 10% of every minute.

Maximum pressure drop and maximum speed must not occur simultaneously.

MTAB 130



MTAB 160



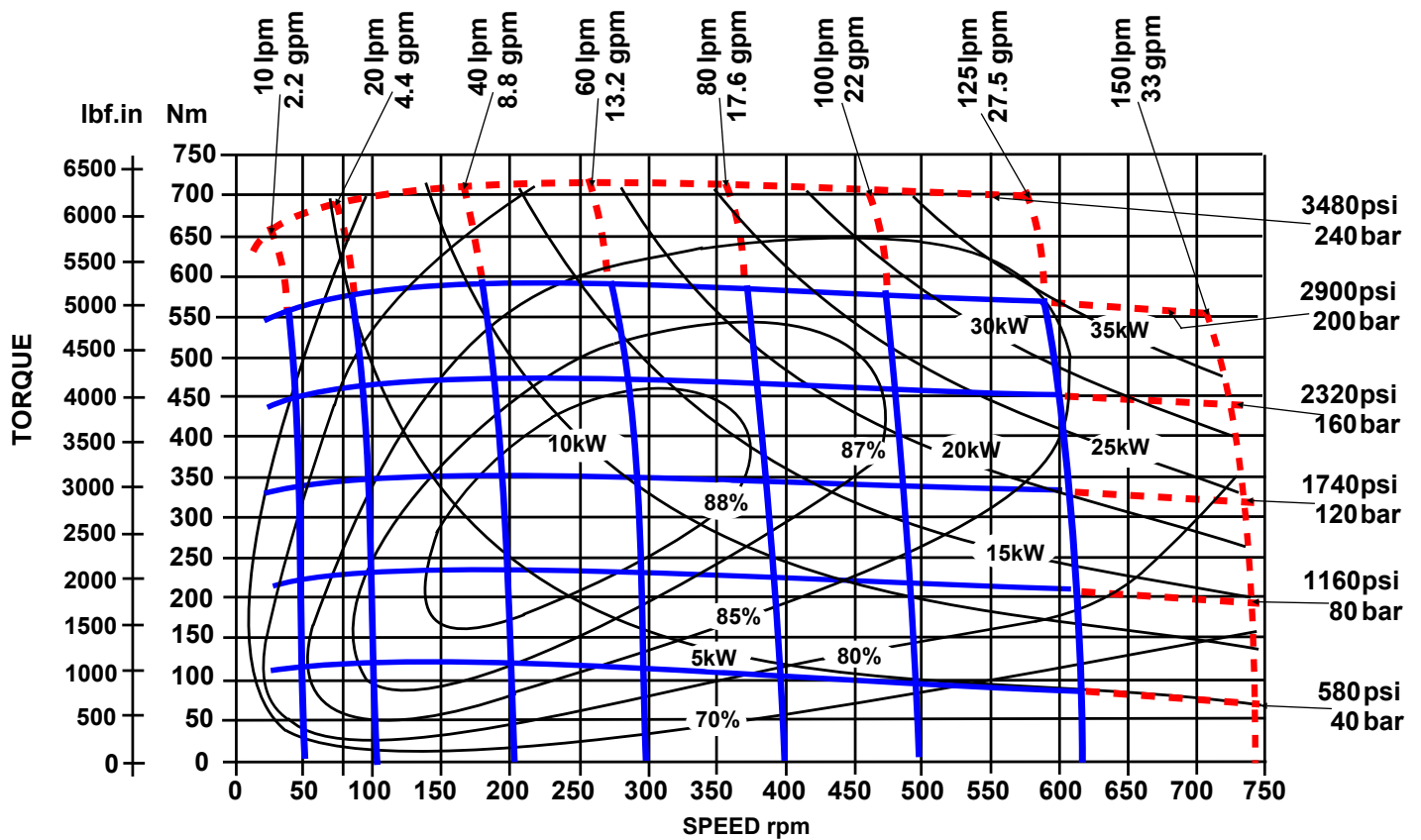
PERFORMANCE GRAPHS 200 & 250 cc

MT SERIES

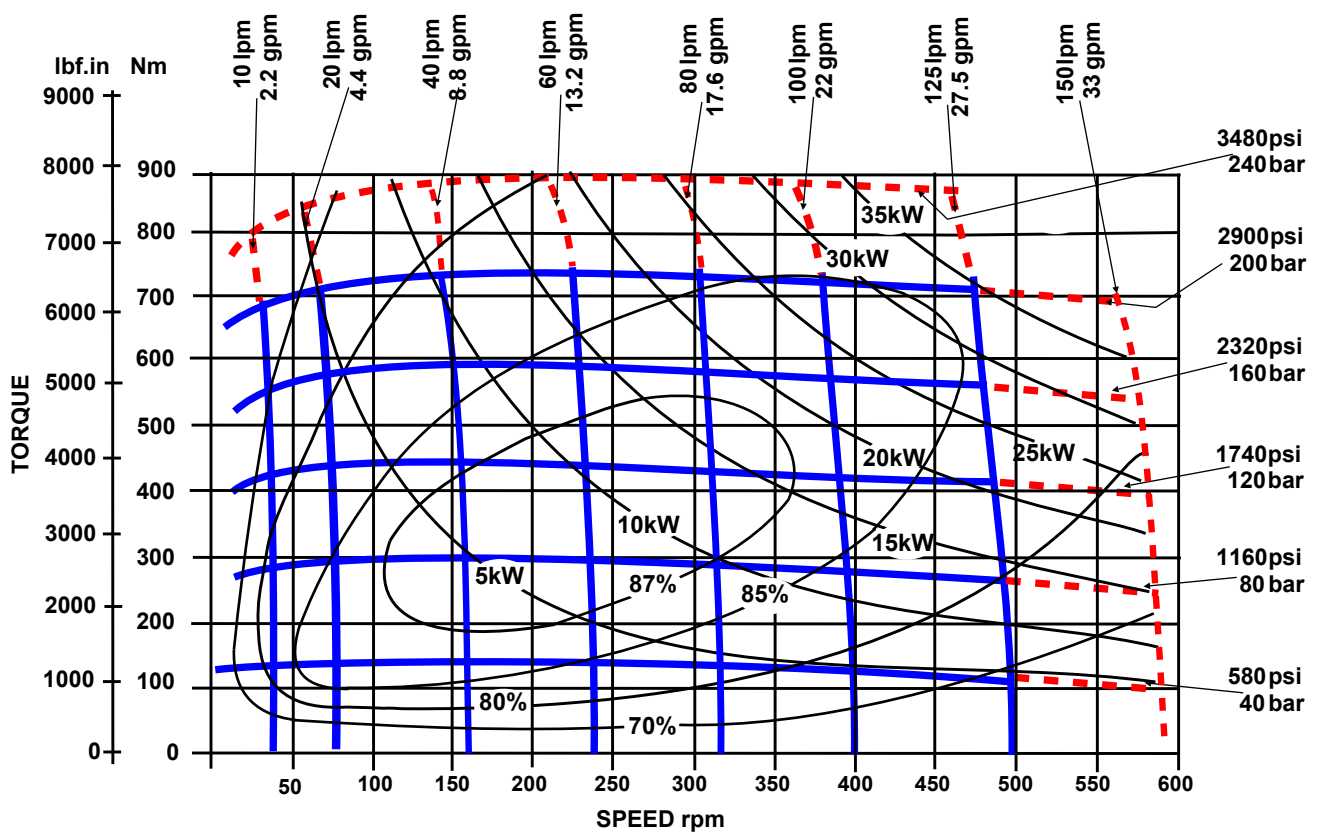
Solid blue lines represent continuous operation. Dotted red lines represent intermittent operation permissible for 10% of every minute.

Maximum pressure drop and maximum speed must not occur simultaneously.

MTAB 200



MTAB 250

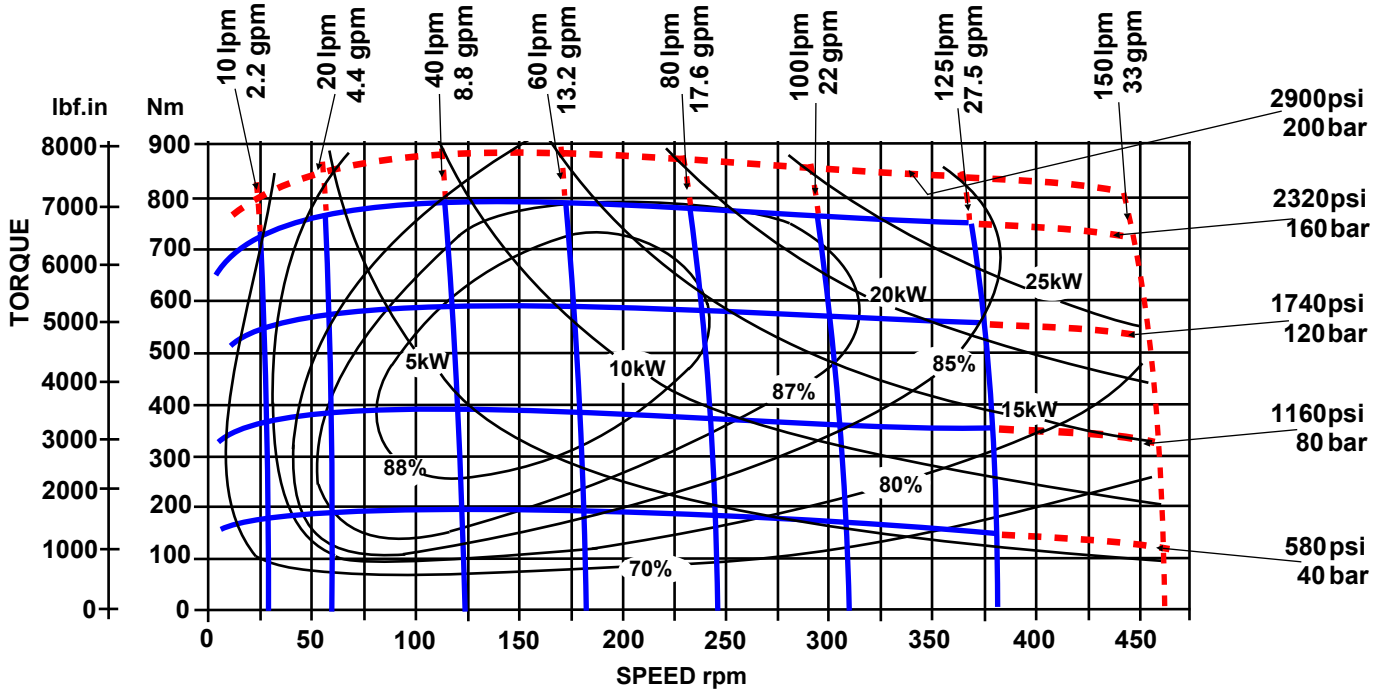


PERFORMANCE GRAPHS 300 & 400 cc MT SERIES

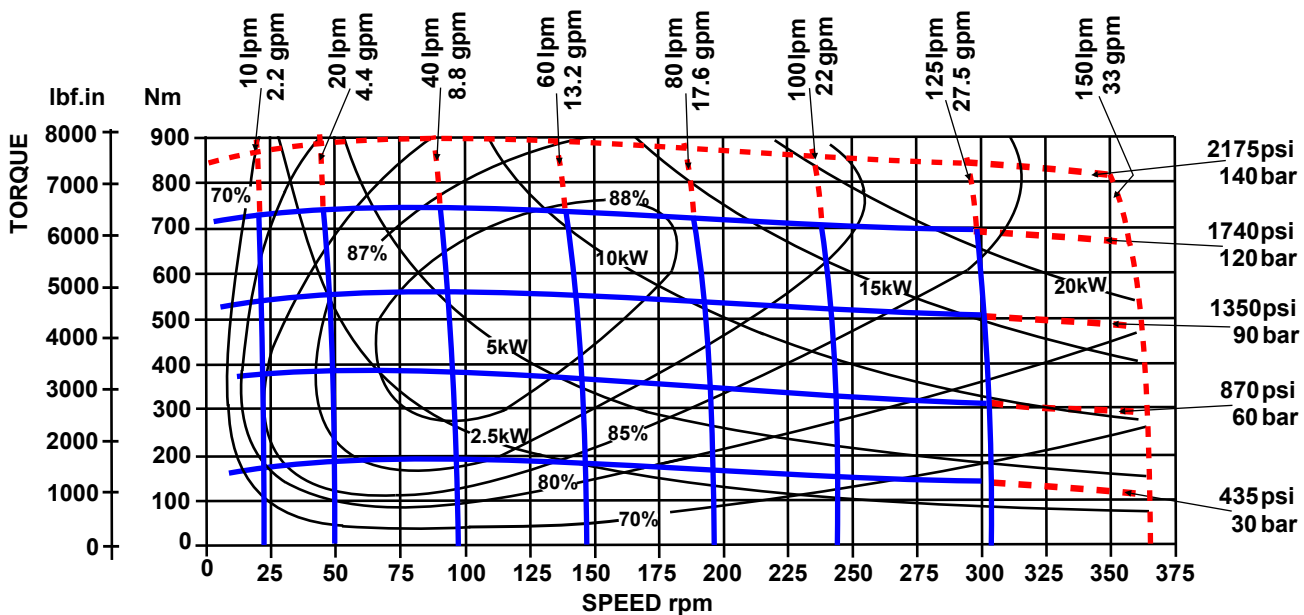
Solid blue lines represent continuous operation. Dotted red lines represent intermittent operation permissible for 10% of every minute.

Maximum pressure drop and maximum speed must not occur simultaneously.

MTAB 300



MTAB 400



The policy of Adan Limited is one of continual development and the right is reserved to alter specifications without notice.



ADAN LIMITED

RIVERSIDE IND. ESTATE BOSTON LINCOLNSHIRE ENGLAND
 Tel: +44 (0)1205 311500 Fax: +44 (0)1205 358013
 email: sales@adanltd.co.uk website: www.adanltd.co.uk



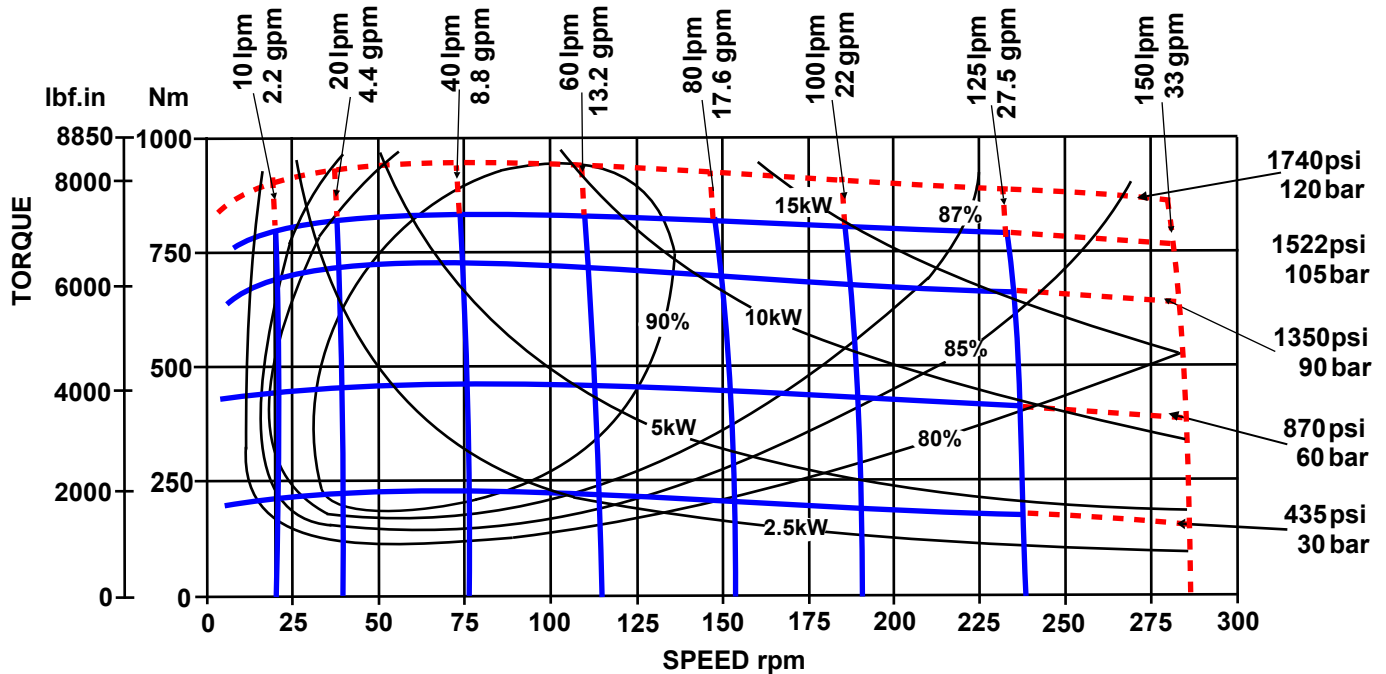
PERFORMANCE GRAPHS 500 cc

MT SERIES

Solid blue lines represent continuous operation. Dotted red lines represent intermittent operation permissible for 10% of every minute.

Maximum pressure drop and maximum speed must not occur simultaneously.

MTAB 500



The policy of Adan Limited is one of continual development and the right is reserved to alter specifications without notice.



ADAN LIMITED

RIVERSIDE IND. ESTATE BOSTON LINCOLNSHIRE ENGLAND
 Tel: +44 (01205) 311500 Fax: +44 (01205) 358013
 email: sales@adanltd.co.uk website: www.adanltd.co.uk

