



# H SERIES

## HYDRAULIC MOTOR

### HIGH TORQUE - LOW SPEED



TYPE												
MOTOR SIZE		32	50	63	75	100	125	150	200	250	300	400
DISPLACEMENT	cm <sup>3</sup>	33.0	49.7	65.9	81.8	101.2	126.1	160.8	200.9	250.8	315.5	399.9
	in <sup>3</sup>	2.02	3.04	4.04	5.01	6.20	7.72	9.85	12.30	15.36	19.32	25.27
MAX. SPEED	rpm cont.	1400	775	750	750	600	475	375	300	240	190	160
	rpm int.	1600	1000	1000	940	750	600	450	375	300	240	200
MAX. TORQUE	Nm cont.	44	100	140	195	240	300	380	450	540	550	580
	lbf.in cont.	390	885	1240	1730	2120	2660	3360	3980	4780	4870	5130
	Nm int.	62	130	170	220	280	340	430	500	610	690	690
	lbf.in int.	550	1150	1505	1950	2480	3010	3810	4430	5400	6110	6110
MAX. PRESSURE DROP	bar cont.	100	140	140	175	175	175	175	175	175	135	115
	psi int.	1450	2030	2030	2540	2540	2540	2540	2540	2540	1958	1668
	bar int.	140	175	175	200	200	200	200	200	200	175	150
	psi int.	2030	2540	2540	2900	2900	2900	2900	2900	2900	2540	2180
MAX. OIL FLOW	lpm cont.	50	40	50	60	60	60	60	60	60	60	60
	gpm cont.	11	8.8	11	13.2	13.2	13.2	13.2	13.2	13.2	13.2	13.2
	lpm int.	55	50	62	75	75	75	75	75	75	75	75
	gpm int.	12.2	11	13.6	16.5	16.5	16.5	16.5	16.5	16.5	16.5	16.5
WEIGHT	kg	6.2	6.4	6.7	6.8	7.1	7.3	7.5	8.0	8.5	8.9	9.9

Maximum inlet pressure 3250 psi - 224 bar  
High pressure shaft seal drain line not required for most applications.

Maximum pressure drop and speed must not be reached simultaneously.  
Intermittent operation may occur for 10% max. of every minute.

At speeds lower than 10 rpm please consult our Technical Department.

Mineral based hydraulic fluids with anti-wear additives are recommended with a viscosity of 35 mm<sup>2</sup>/s at a temperature of 50 C.

Minimum recommended oil viscosity 13 mm<sup>2</sup>/s at operating temperature.

Recommended oil cleanliness ISO 19/14 with a nominal filtration of 25 micron or better.

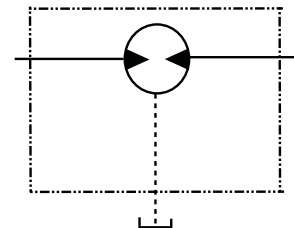
Where non-flammable fluids are to be used it is advisable to consult our Technical Department.

Ambient temperature should be between -30°C and +90°C.

Normal operating temperature should be between +30°C and +60°C.

Maximum operating temperature +85°C.

#### SYMBOL



The policy of Adan Limited is one of continual development and the right is reserved to alter specifications without notice.



## ADAN LIMITED

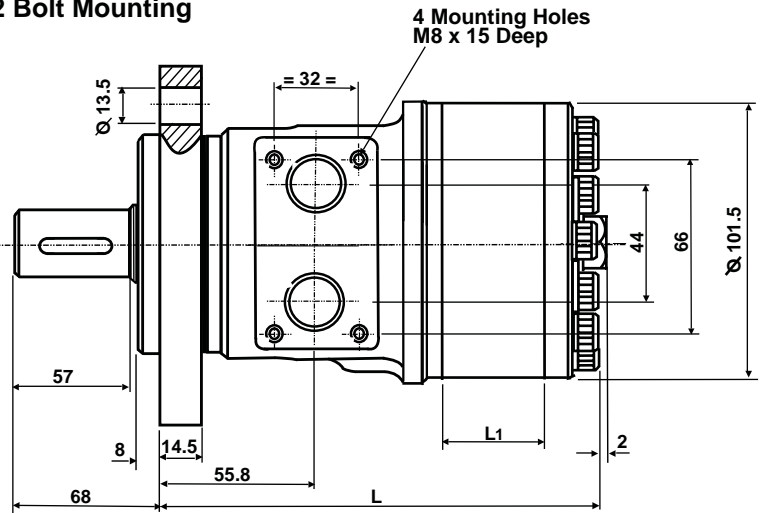
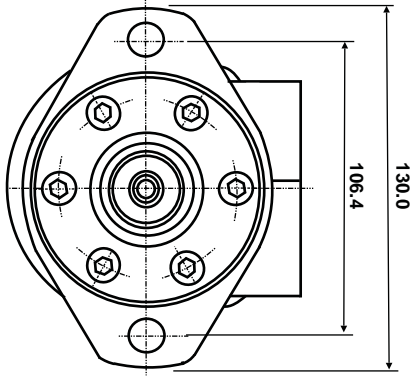
RIVERSIDE IND. ESTATE BOSTON LINCOLNSHIRE ENGLAND

Tel: +44 (01205) 311500

email: sales@adanltd.co.uk | website: www.adanltd.co.uk



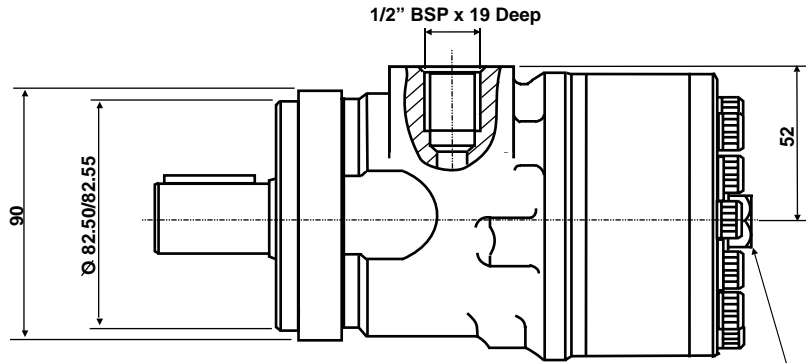
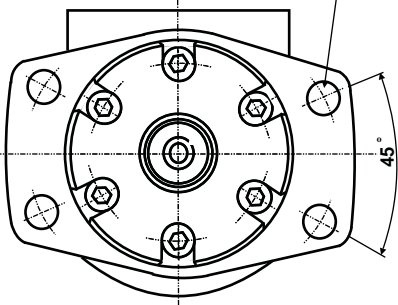
**Std. 2 Bolt Mounting**



4 Mounting Holes  
M8 x 15 Deep

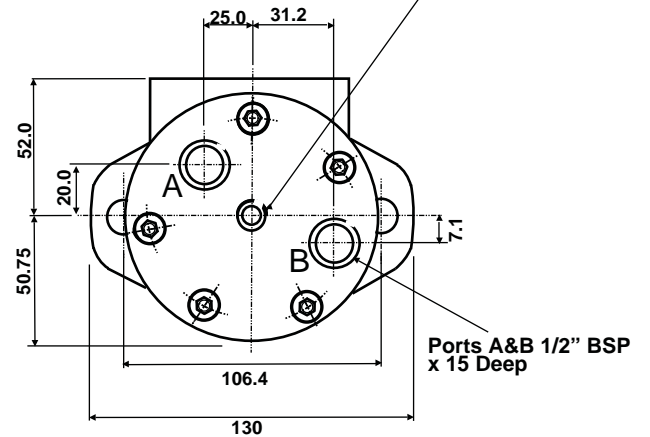
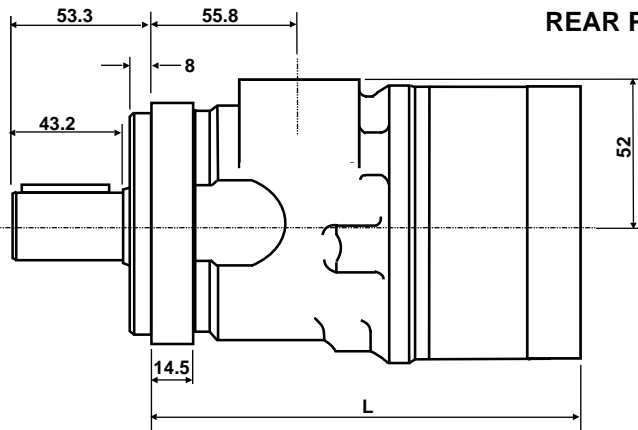
4 HOLES ON 106.4 PCD  
13.5 DIA THROUGH

**4 Bolt Magneto 'F'**



DRAIN CONNECTION 1/4" BSP  
PLUGGED WHEN NOT REQUIRED

**REAR PORT RP**

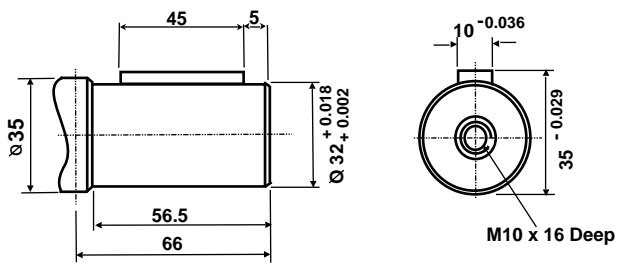


Ports A&B 1/2" BSP  
x 15 Deep

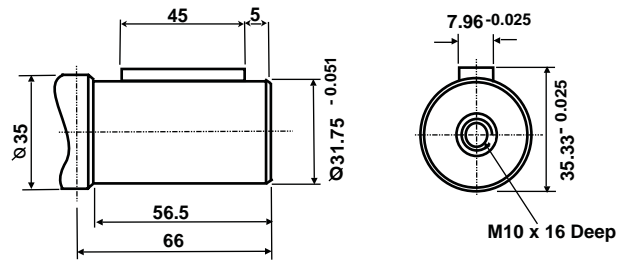
*For performance graphs see H performance sheet*

*For shaft details see H shaft options*

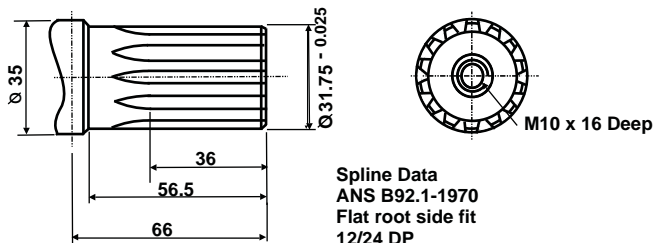
Motor size	Dimn.	32	50	63	75	100	125	150	200	250	300	400
ALL TYPES	L <sub>1</sub>	5.8	8.7	11.5	14.3	17.7	22.0	28.1	35.0	43.8	55.0	69.8
AHMP	L	131.6	134.5	137.3	140.1	143.5	147.8	153.9	160.8	169.6	180.8	195.6



**Standard 32mm Shaft - P**



**1 1/4" Dia. Shaft - U**



**Spline Data**  
ANS B92.1-1970  
Flat root side fit  
12/24 DP  
30° Pressure Angle  
14 Teeth

**Splined Shaft - S**

*The policy of Adan Limited is one of continual development and the right is reserved to alter specifications without notice.*



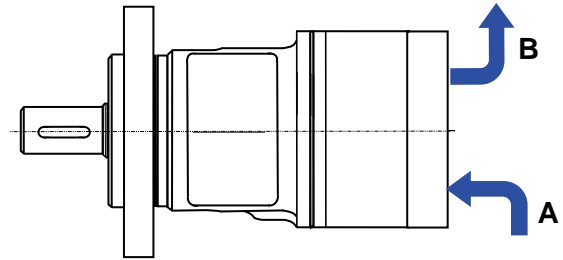
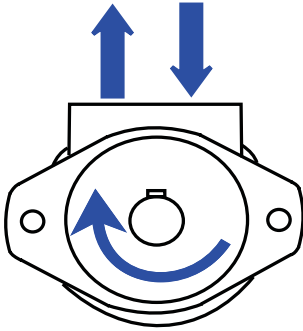
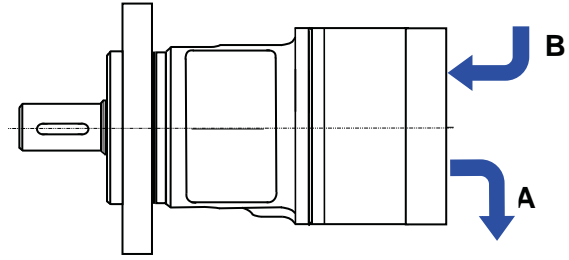
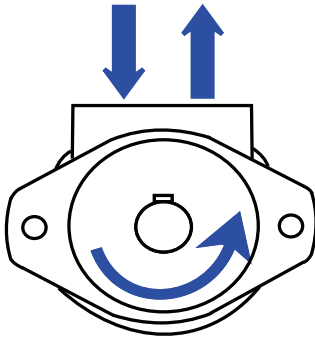
**ADAN LIMITED**  
RIVERSIDE IND. ESTATE BOSTON LINCOLNSHIRE ENGLAND  
Tel: +44 (01205) 311500  
email: [sales@adanltd.co.uk](mailto:sales@adanltd.co.uk) | website: [www.adanltd.co.uk](http://www.adanltd.co.uk)



# GENERAL DATA

# H SERIES

## SHAFT ROTATION



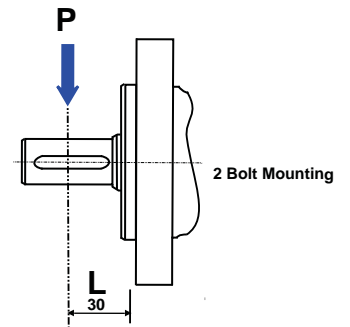
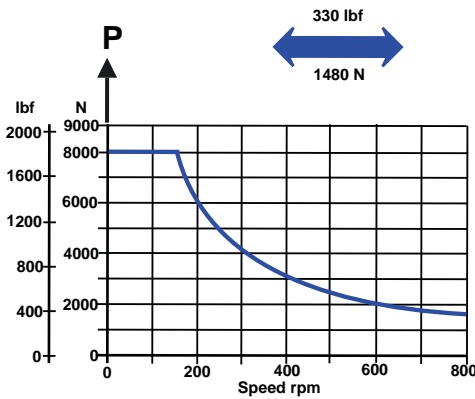
## SHAFT LOADING

### 2 Bolt Flange

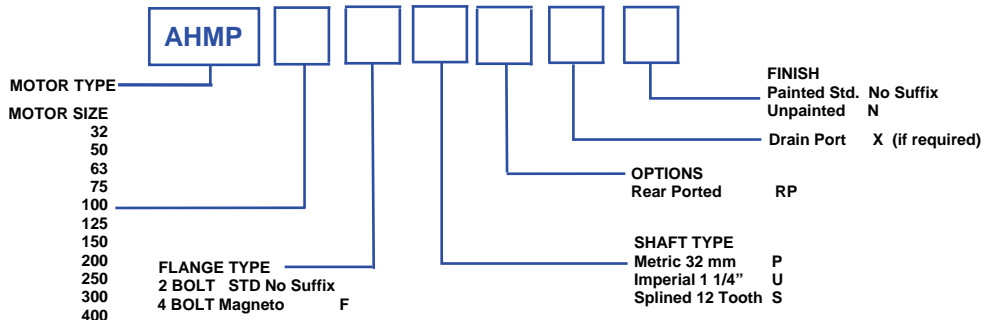
$$P = \frac{800}{n} \times \frac{250000}{95 + L} \text{ N}$$

$$P = \frac{800}{n} \times \frac{2215}{3.74 + L} \text{ lbf}$$

n = speed rpm  
 For metric L in mm  
 For imperial L in inches



## ORDERING CODE



The policy of Adan Limited is one of continual development and the right is reserved to alter specifications without notice.



## ADAN LIMITED

RIVERSIDE IND. ESTATE BOSTON LINCOLNSHIRE ENGLAND

Tel: +44 (01205) 311500

email: sales@adanltd.co.uk | website: www.adanltd.co.uk

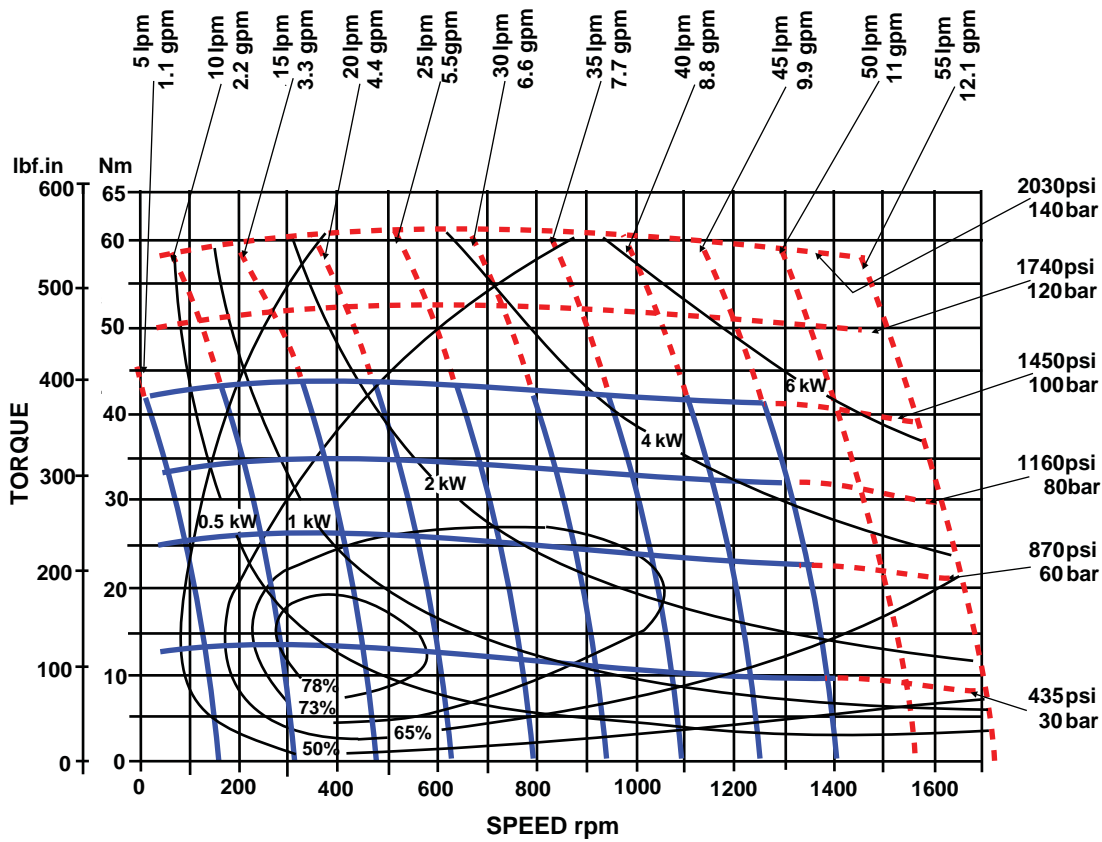


# PERFORMANCE GRAPHS 32 & 50 cc H SERIES

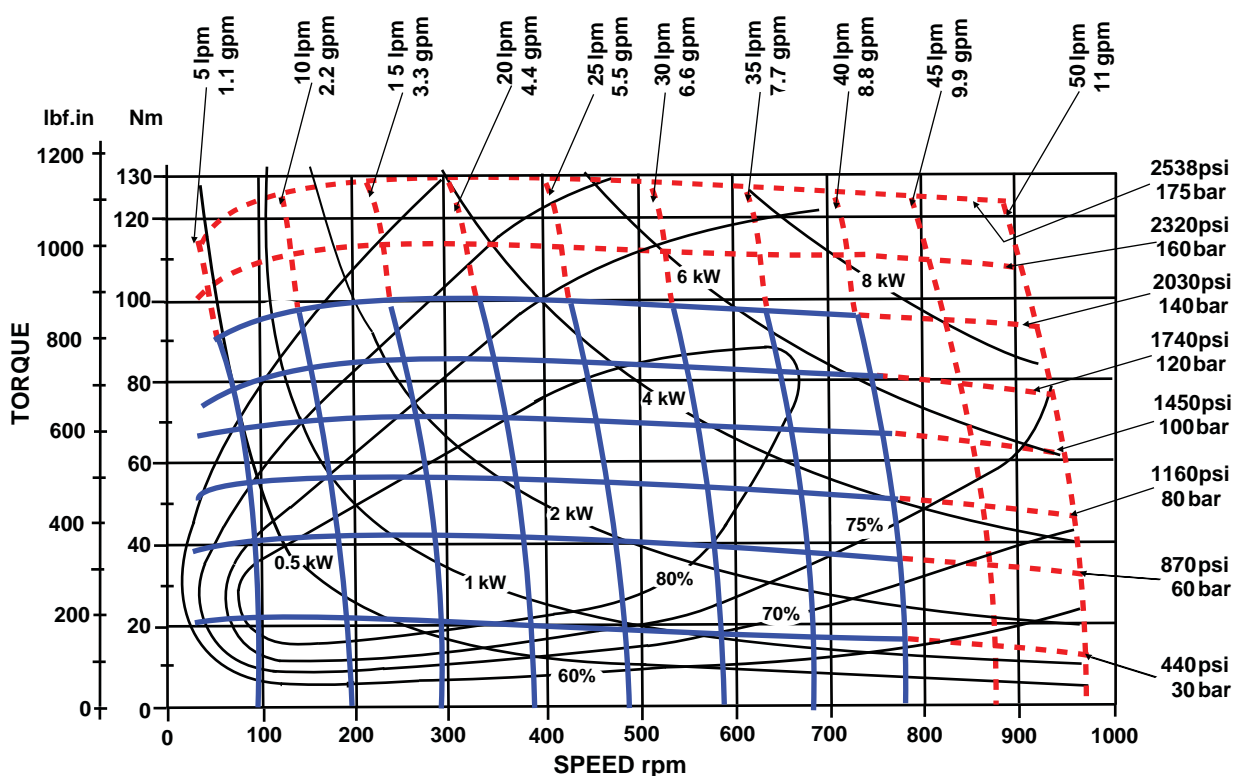
Solid blue lines represent continuous operation. Dotted red lines represent intermittent operation permissible for 10% of every minute.

Maximum pressure drop and maximum speed must not occur simultaneously.

## AHMP 32



## AHMP 50

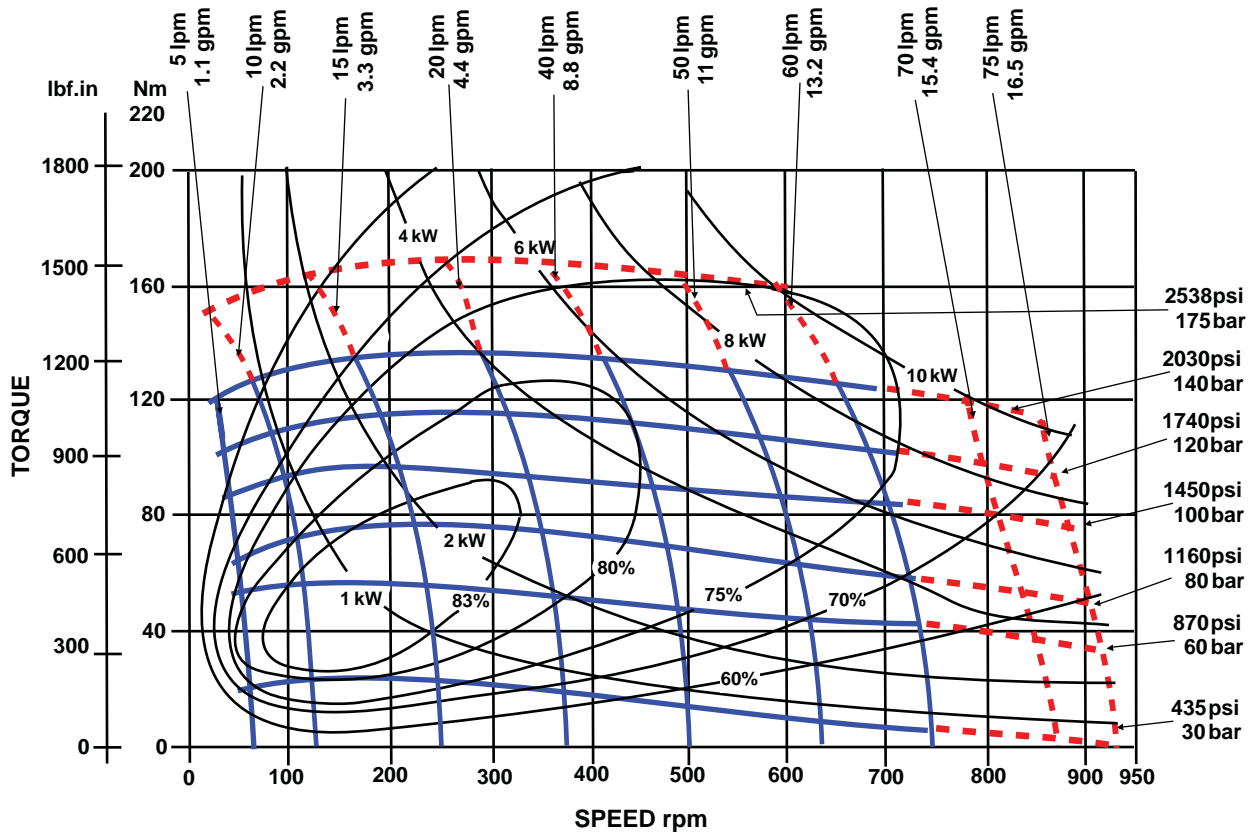


# PERFORMANCE GRAPHS 63 & 75 cc H SERIES

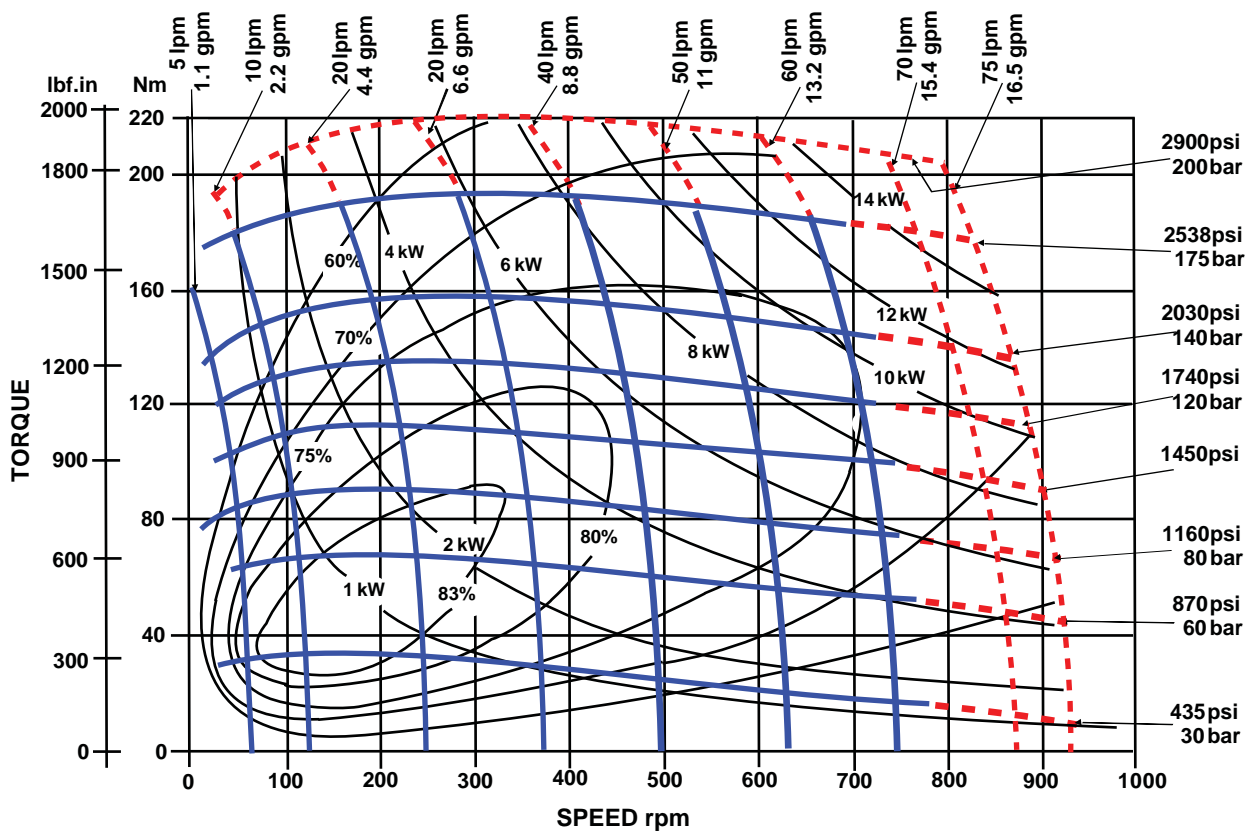
Solid blue lines represent continuous operation. Dotted red lines represent intermittent operation permissible for 10% of every minute.

Maximum pressure drop and maximum speed must not occur simultaneously.

## AHMP 63



## AHMP 75

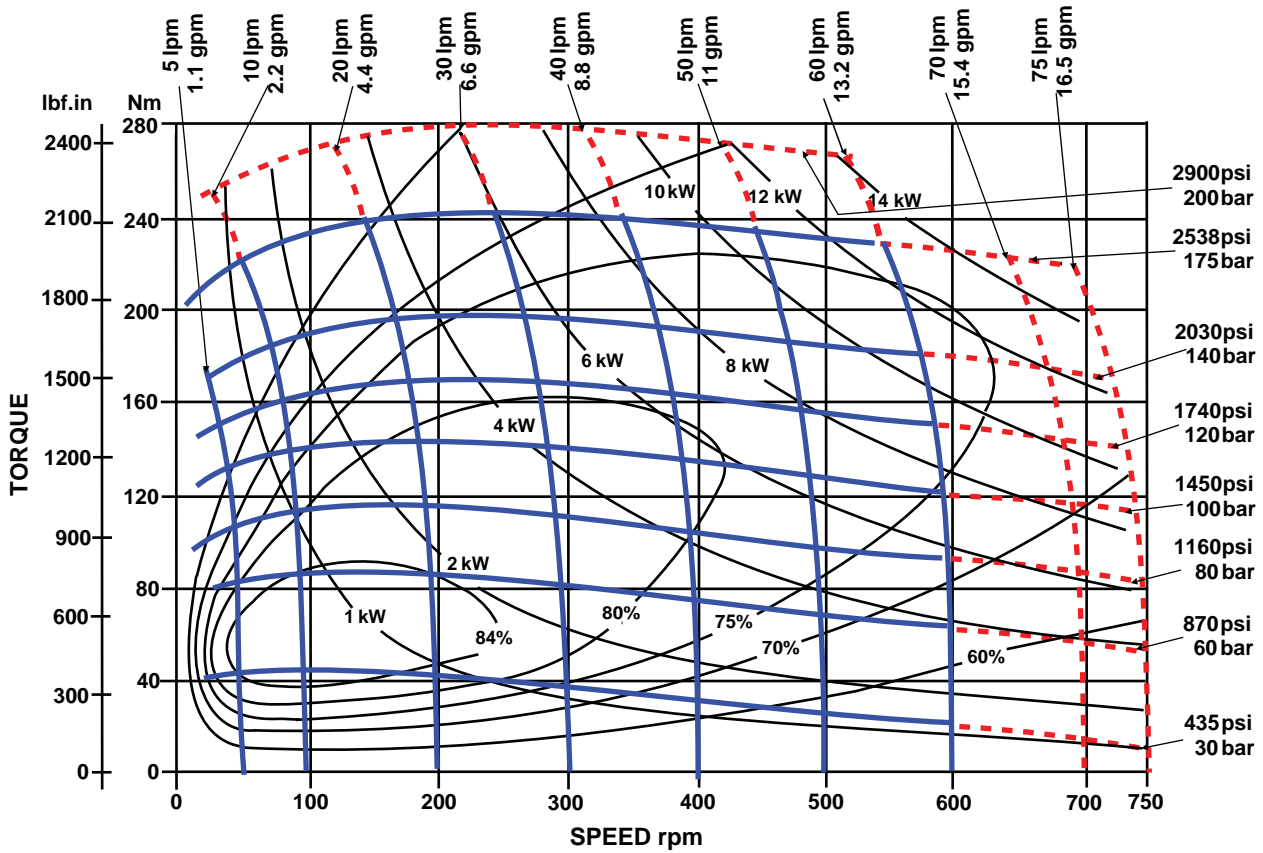


# PERFORMANCE GRAPHS 100 & 125 cc H SERIES

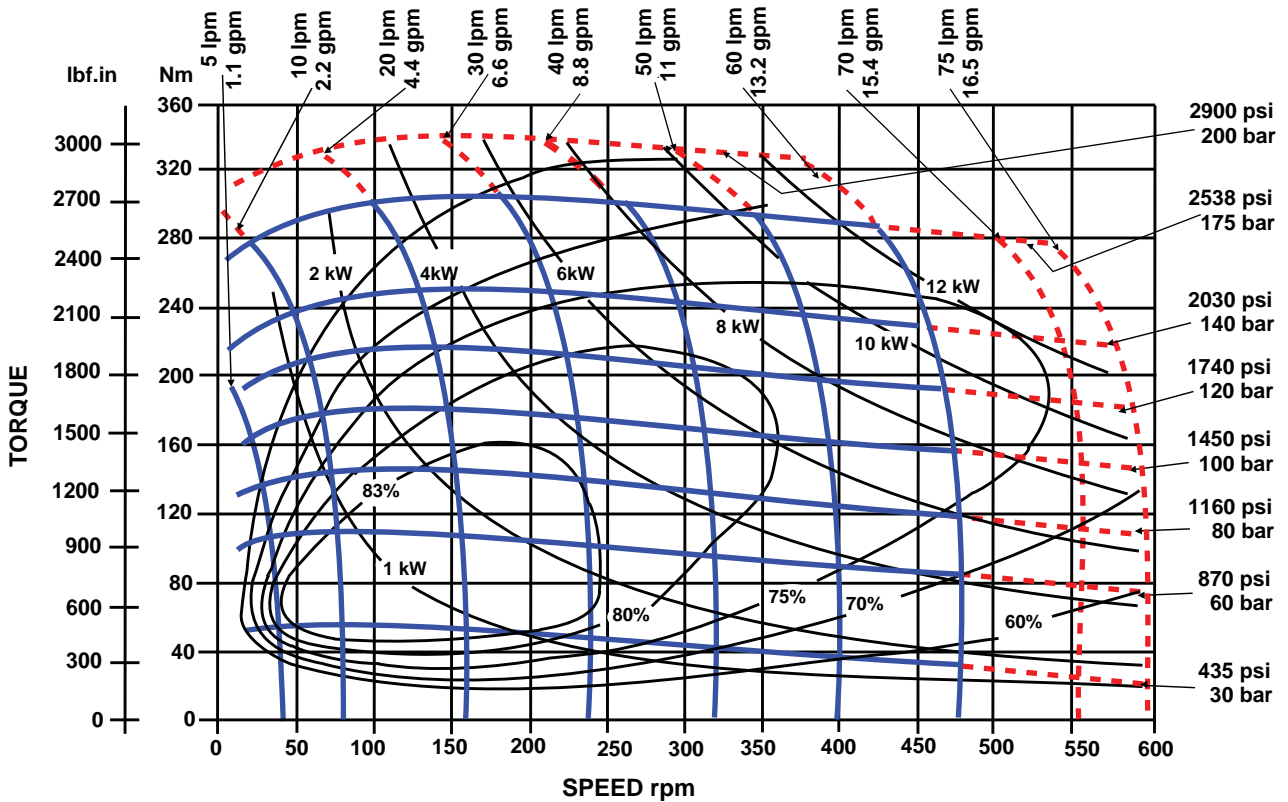
Solid blue lines represent continuous operation. Dotted red lines represent intermittent operation permissible for 10% of every minute.

Maximum pressure drop and maximum speed must not occur simultaneously.

## AHMP 100



## AHMP 125

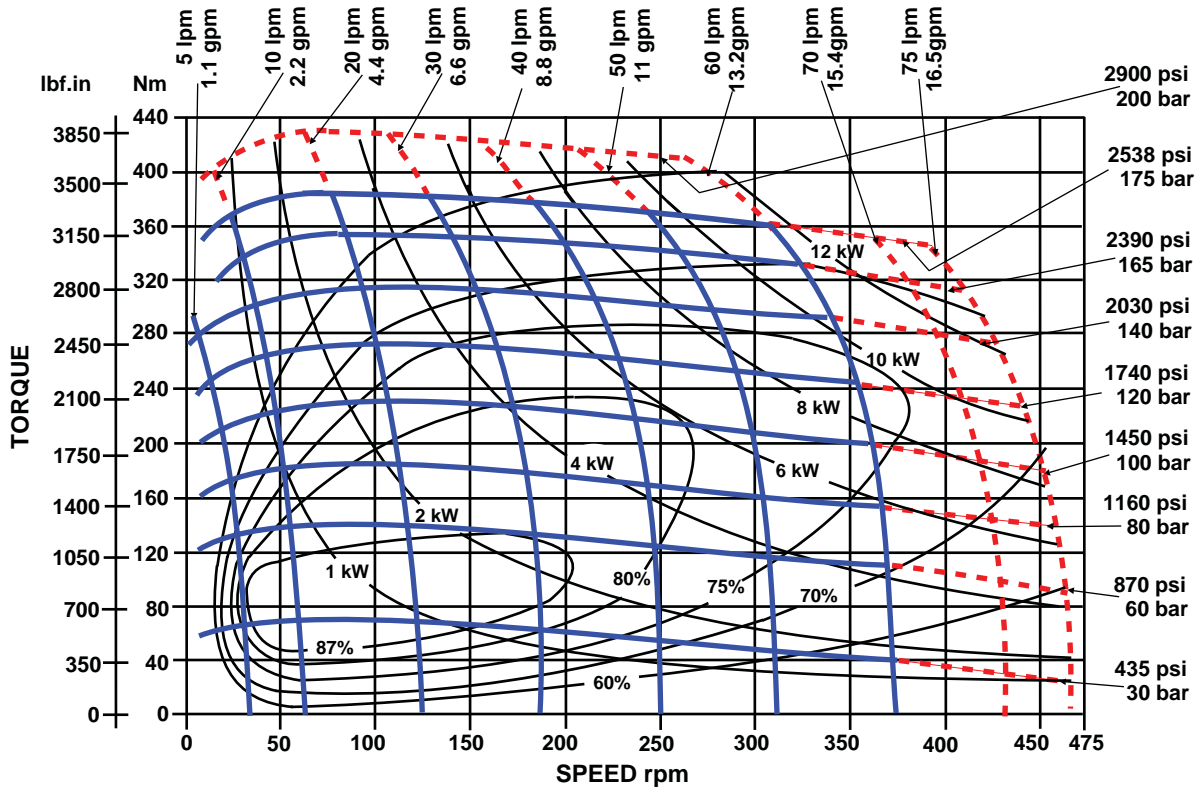


# PERFORMANCE GRAPHS 150 & 200 cc H SERIES

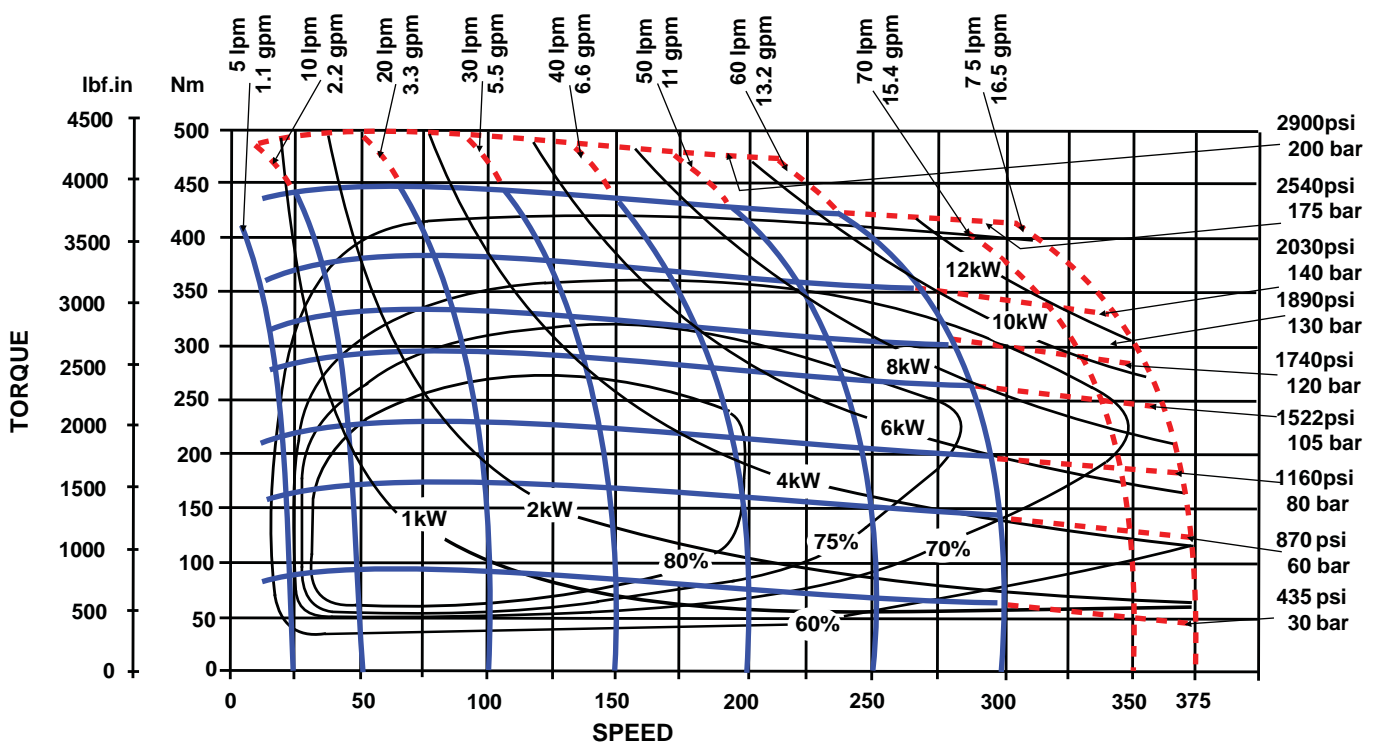
Solid blue lines represent continuous operation. Dotted red lines represent intermittent operation permissible for 10% of every minute.

Maximum pressure drop and maximum speed must not occur simultaneously.

## AHMP 150



## AHMP 200



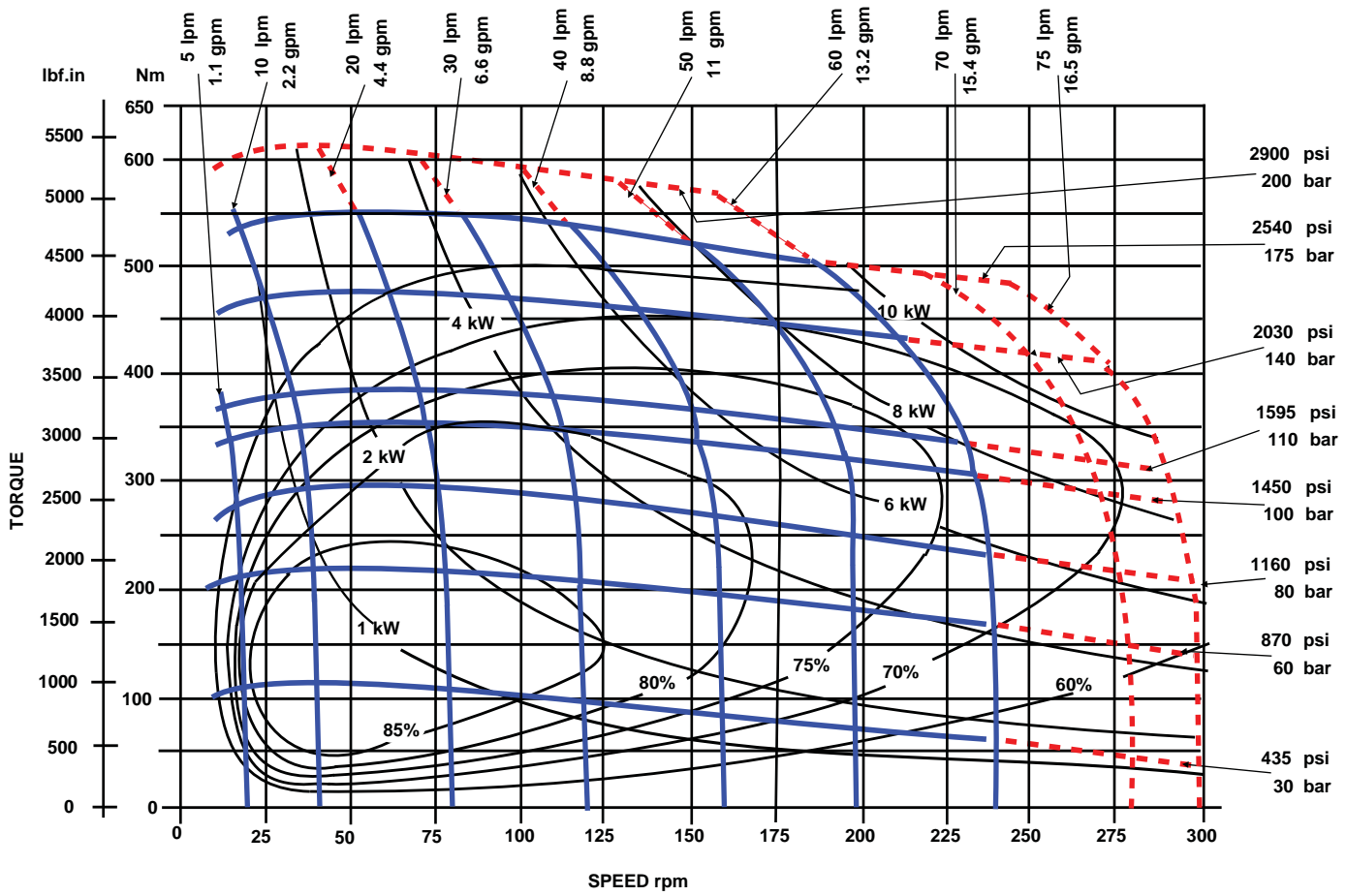


# PERFORMANCE GRAPHS 250 & 300 cc H SERIES

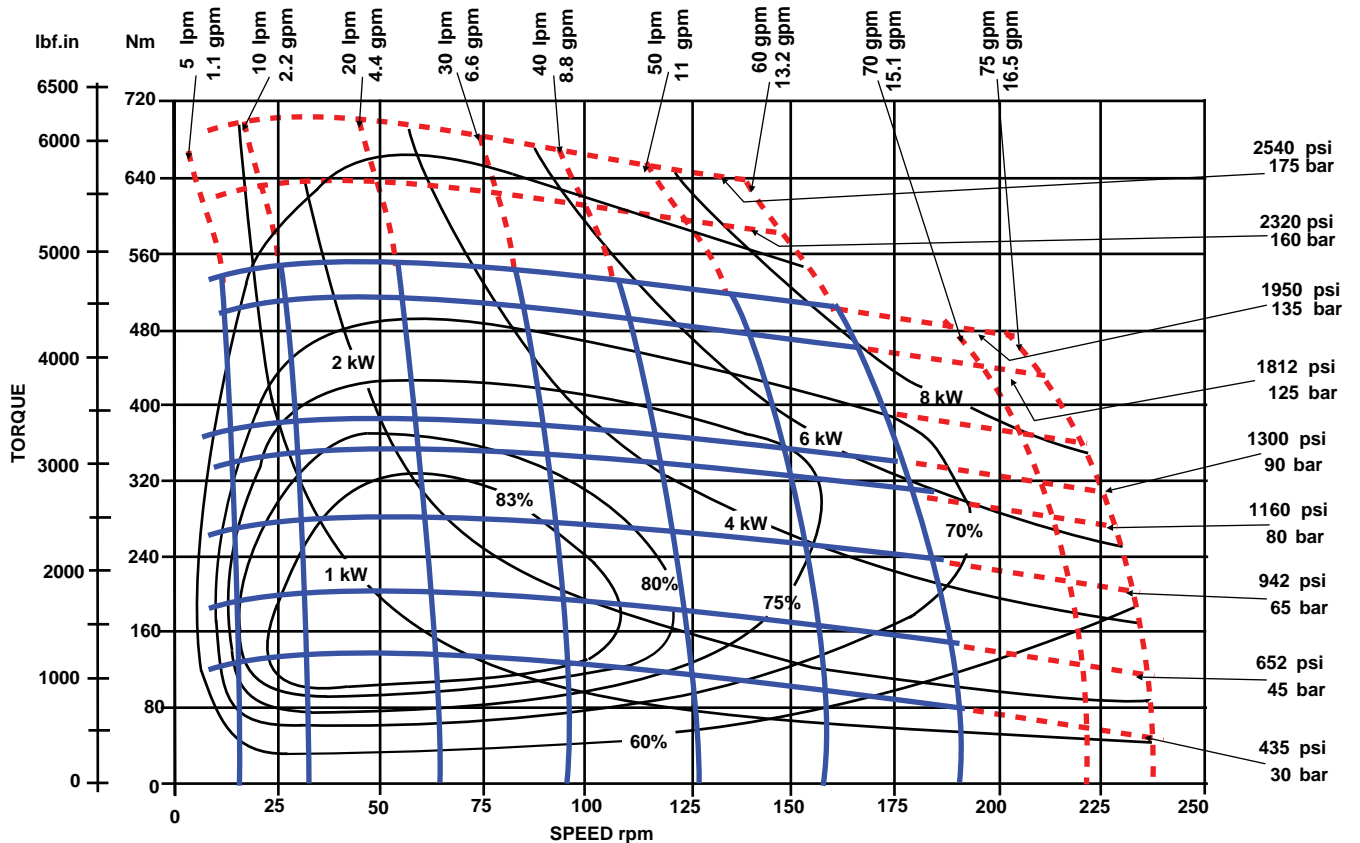
Solid blue lines represent continuous operation. Dotted red lines represent intermittent operation permissible for 10% of every minute.

Maximum pressure drop and maximum speed must not occur simultaneously.

## AHMP 250



## AHMP 300

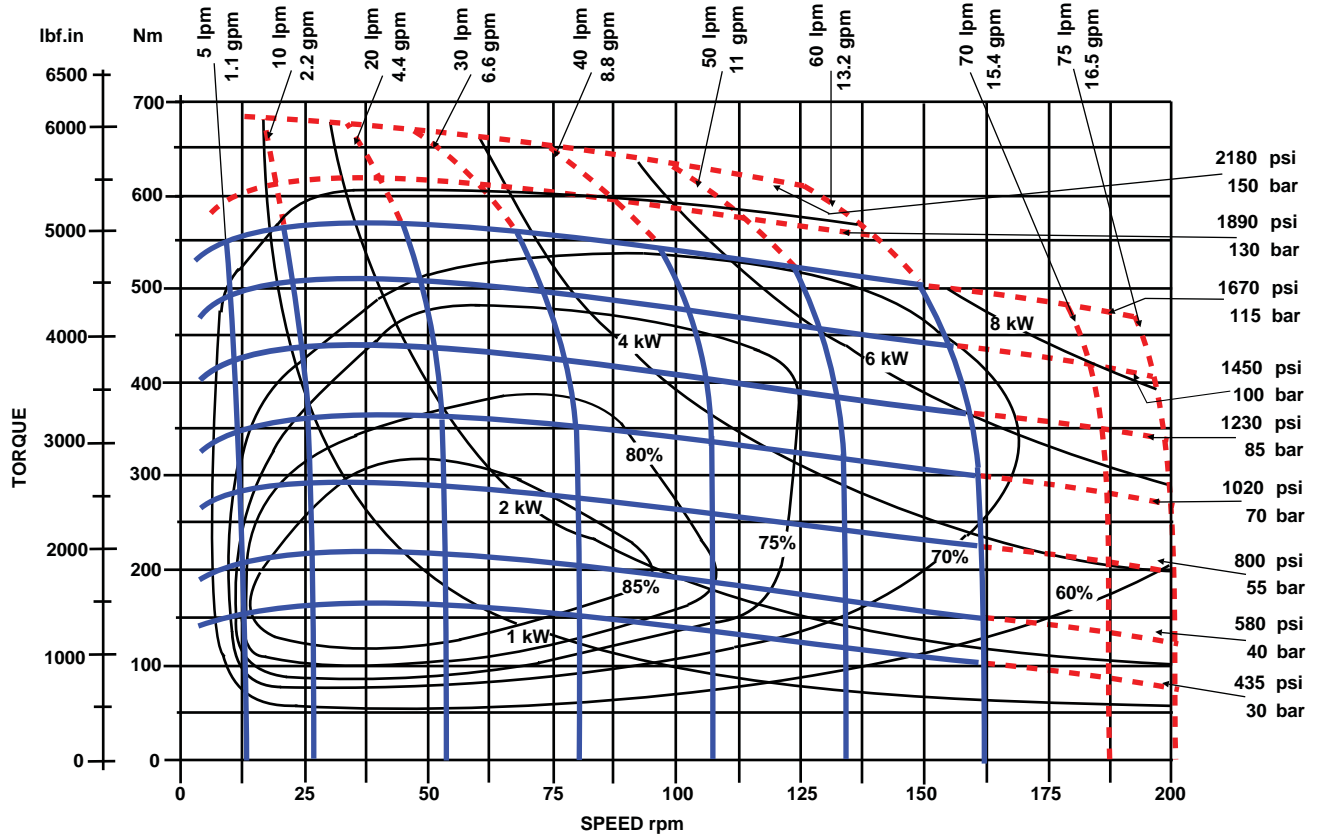


# PERFORMANCE GRAPHS 400 cc H SERIES

Solid blue lines represent continuous operation. Dotted red lines represent intermittent operation permissible for 10% of every minute.

Maximum pressure drop and maximum speed must not occur simultaneously.

## AHMP 400



The policy of Adan Limited is one of continual development and the right is reserved to alter specifications without notice.



**ADAN LIMITED**  
 RIVERSIDE IND. ESTATE BOSTON LINCOLNSHIRE ENGLAND  
 Tel: +44 (0)1205 311500  
 email: sales@adanltd.co.uk | website: www.adanltd.co.uk

