



COMPACT

HYDRAULIC MOTOR

HIGH TORQUE-LOW SPEED



TYPE		COMPACT								
MOTOR SIZE		25	40	50	75	100	150	200	300	400
DISPLACEMENT	cm ³	25	40	49.5	79.2	99	158.4	198	316.8	396
	in ³	1.82	2.44	3.02	4.83	6.04	9.66	12.1	19.3	24.16
MAX. SPEED	rpm cont.	1600	1500	1210	755	605	378	303	190	150
	rpm int.	1815	1750	1515	945	755	472	378	236	189
MAX. TORQUE	Nm cont.	33	62	94	151	193	310	360	380	360
	lbf.in cont	290	550	835	1340	1710	2740	3180	3360	3180
	Nm int.	47	82	119	195	237	378	450	560	590
	lbf.in int.	415	730	1050	1725	2100	3345	3980	4960	5240
MAX. PRESSURE DROP	bar cont.	100	100	140	140	140	140	140	90	70
	psi cont.	1450	1450	2030	2030	2030	2030	2030	1300	1015
	bar int.	140	140	175	175	175	175	175	140	115
	psi int.	2030	2030	2540	2540	2540	2540	2540	2030	1665
MAX. OIL FLOW	lpm cont.	40	60	60	60	60	60	60	60	60
	gpm cont.	8.8	13.2	13.2	13.2	13.2	13.2	13.2	13.2	13.2
	lpm int.	45	70	75	75	75	75	75	75	75
	gpm int.	9.9	15.4	16.5	16.5	16.5	16.5	16.5	16.5	16.5
WEIGHT kg	Rear Ports	4.9	5.0	5.1	5.25	5.55	5.75	6.0	6.5	7.0
	Side Ports	5.15	5.25	5.35	5.5	5.75	6.0	6.25	6.75	7.25
	Rear Flange	5.3	5.4	5.5	5.65	5.9	6.15	6.4	6.9	7.4

Maximum inlet pressure 3250 psi - 224 bar
 High pressure shaft seal drain line not required for most applications.

Maximum pressure drop and speed must not be reached simultaneously.
 Intermittent operation may occur for 10% max. of every minute.

At speeds lower than 10 rpm please consult our Technical Department.

Mineral based hydraulic fluids with anti-wear additives are recommended with a viscosity of 35 mm²/s at a temperature of 50 C.

Minimum recommended oil viscosity 13 mm²/s at operating temperature.

Recommended oil cleanliness ISO 19/14 with a nominal filtration of 25 micron or better.

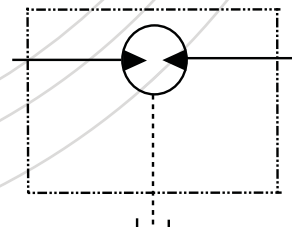
Where non-flammable fluids are to be used it is advisable to consult our Technical Department.

Ambient temperature should be between -30°C and +90°C.

Normal operating temperature should be between +30°C and +60°C.

Maximum operating temperature +85°C.

SYMBOL



The policy of Adan Limited is one of continual development and the right is reserved to alter specifications without notice.



ADAN LIMITED

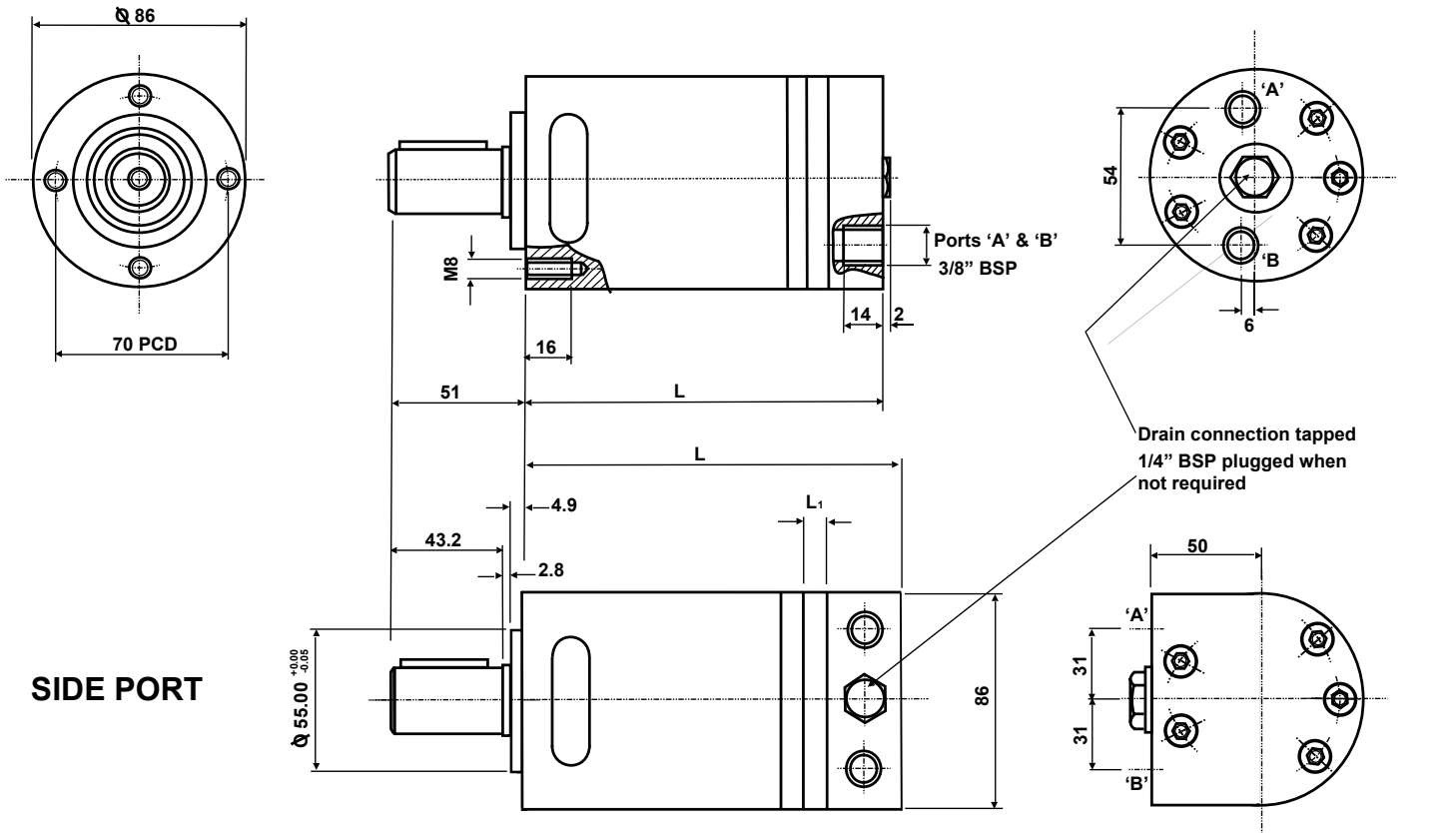
RIVERSIDE IND. ESTATE BOSTON LINCOLNSHIRE ENGLAND

Tel: +44 (01205) 311500

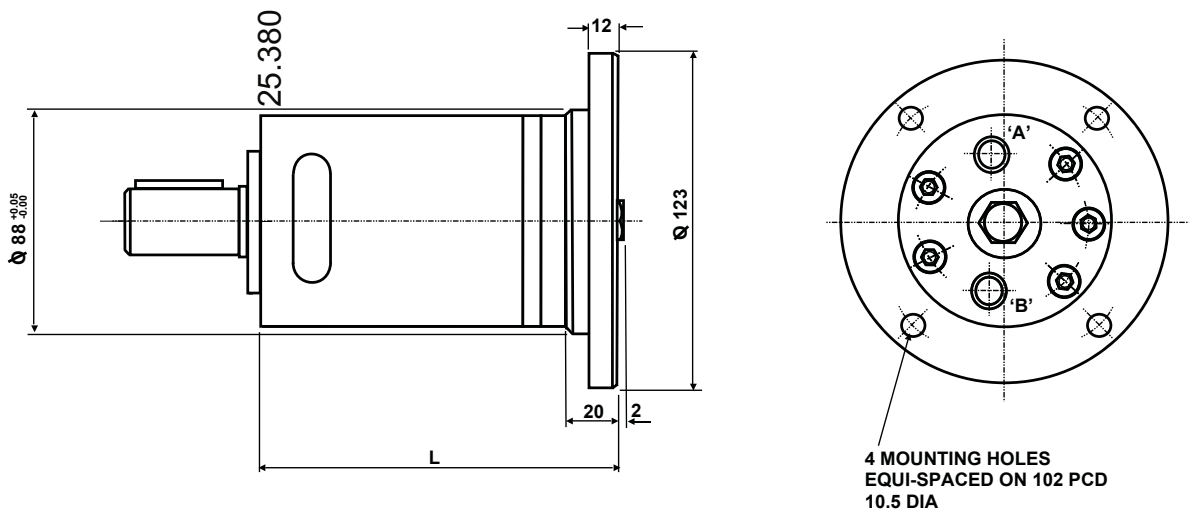
email: sales@adanltd.co.uk | website: www.adanltd.co.uk



REAR PORT



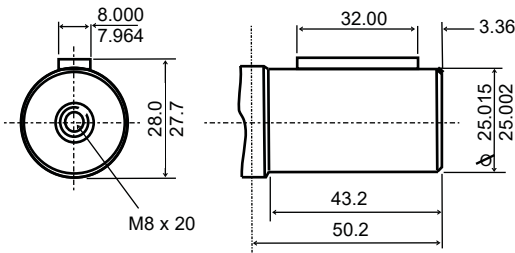
SIDE PORT



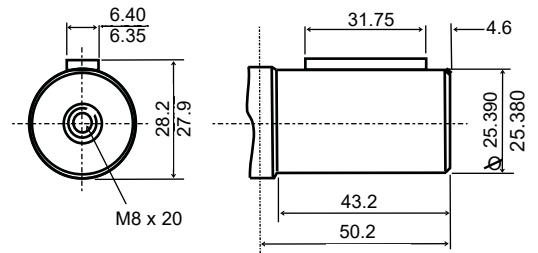
REAR FLANGE

Motor size	Dimn.	25	40	50	75	100	150	200	300	400
ALL TYPES	L_1	5.2	7.4	6.7	10.7	13.3	41.3	26.7	42.7	53.3
Rear Ports	L	135.1	137.3	136.6	140.6	143.2	151.2	166.6	172.6	183.2
Side Ports	L	138.1	140.3	139.6	143.6	146.2	154.2	159.6	175.6	186.2
Rear Flange	L	135.1	137.3	136.6	140.6	143.2	151.2	166.6	172.6	183.2

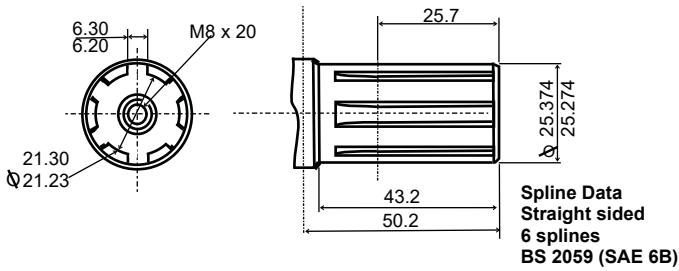
Metric Shaft - M



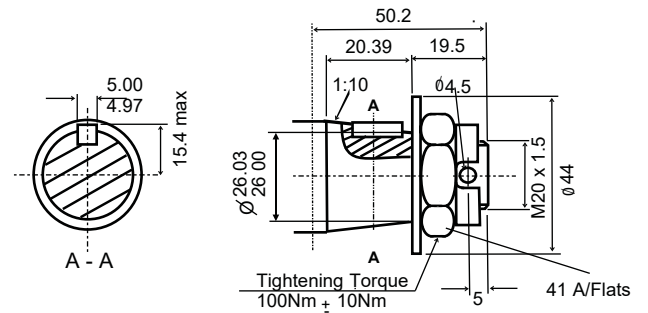
Imperial Shaft - E



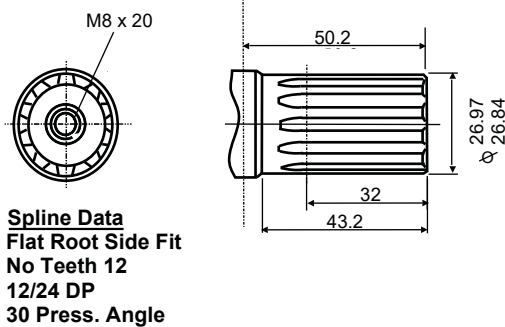
Splined Shaft - S



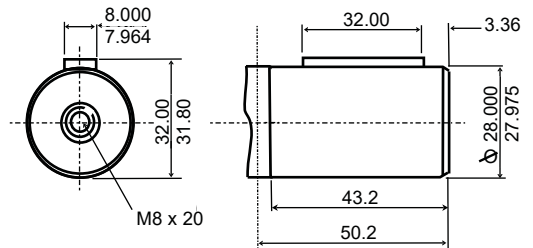
Tapered Shaft - T



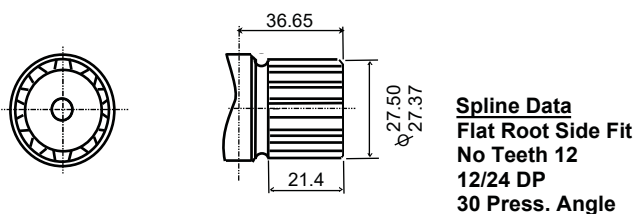
Splined Shaft - SP



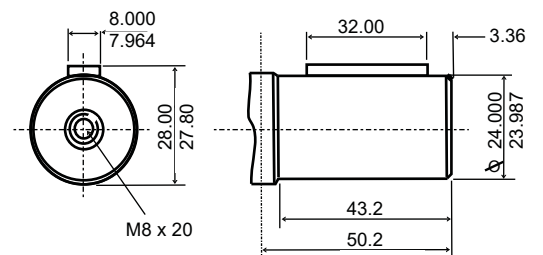
Metric Shaft - M28



Splined Shaft - SS



Metric Shaft - M24



Note Torque limitations

Shafts M, E & M24 cont. 300 Nm (2660lbf.in) int. 420 Nm (3720lbf.in)

Shafts M28, S, SP, SS & T cont. 360 Nm (3190 lbf.in) int. 470 Nm (4160 lbf.in)

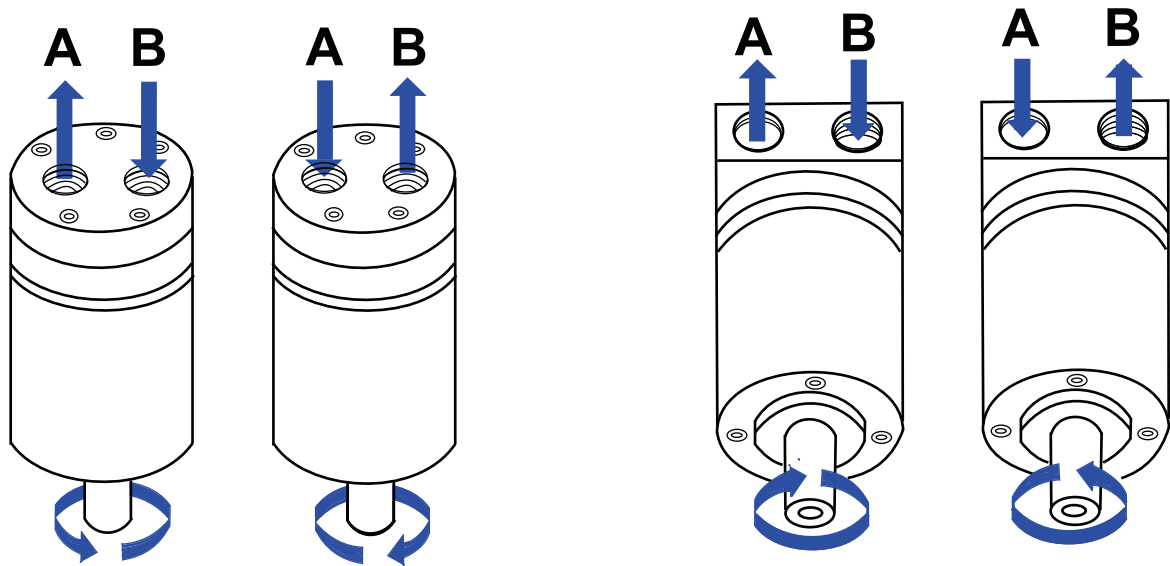
The policy of Adan Limited is one of continual development and the right is reserved to alter specifications without notice.



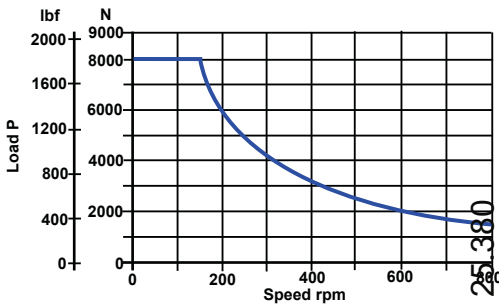
ADAN LIMITED
 RIVERSIDE IND. ESTATE BOSTON LINCOLNSHIRE ENGLAND
 Tel: +44 (01205) 311500
 email: sales@adanltd.co.uk | website: www.adanltd.co.uk



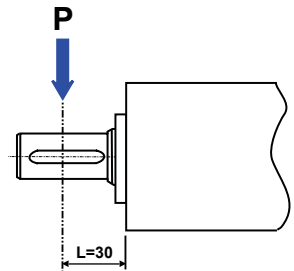
SHAFT ROTATION



RADIAL SHAFT LOADS



330 lbf
1408 N

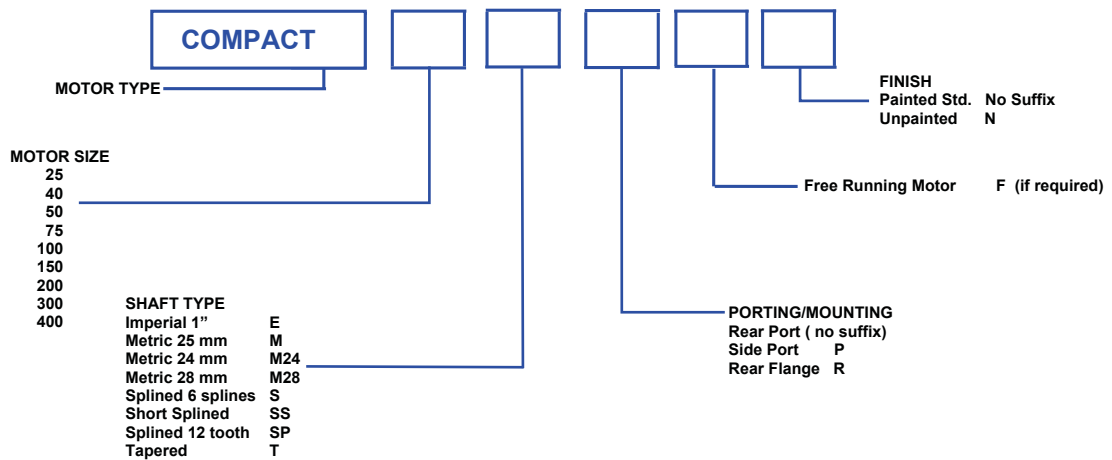


$$P = \frac{800}{n} \times \frac{250000}{95 + L} \text{ N}$$

$$P = \frac{800}{n} \times \frac{2215}{3.74 + L} \text{ lbf}$$

n = speed rpm
For metric L in mm
For imperial L in inches

ORDERING CODE



The policy of Adan Limited is one of continual development and the right is reserved to alter specifications without notice.



ADAN LIMITED

RIVERSIDE IND. ESTATE BOSTON LINCOLNSHIRE ENGLAND

Tel: +44 (01205) 311500

email: sales@adanltd.co.uk | website: www.adanltd.co.uk



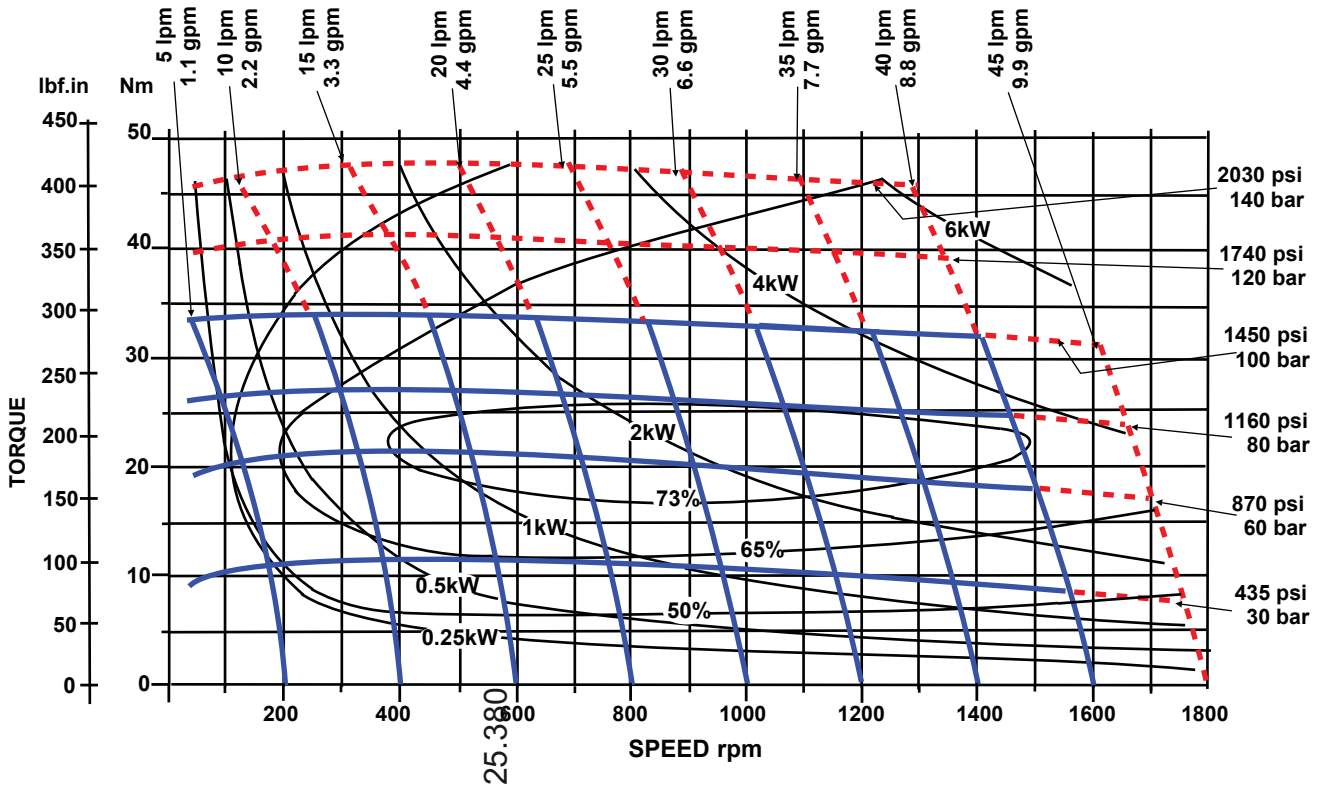
PERFORMANCE GRAPHS 25 & 40 cc COMPACT SERIES

Solid blue lines represent continuous operation. Dotted red lines represent intermittent operation permissible for 10% of every minute.

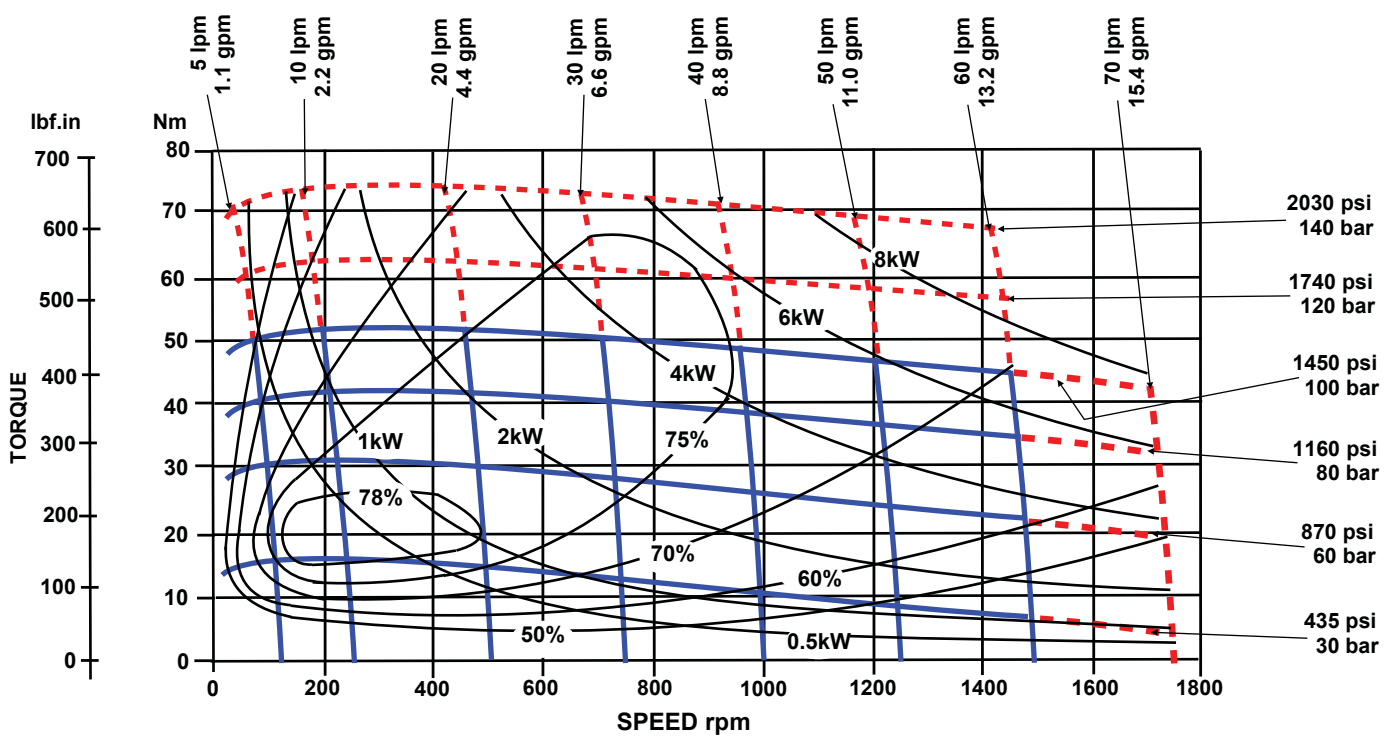
Maximum pressure drop and maximum speed must not occur simultaneously.

Maximum values are dependant on shaft type see note on page 3.

COMPACT 25



COMPACT 40

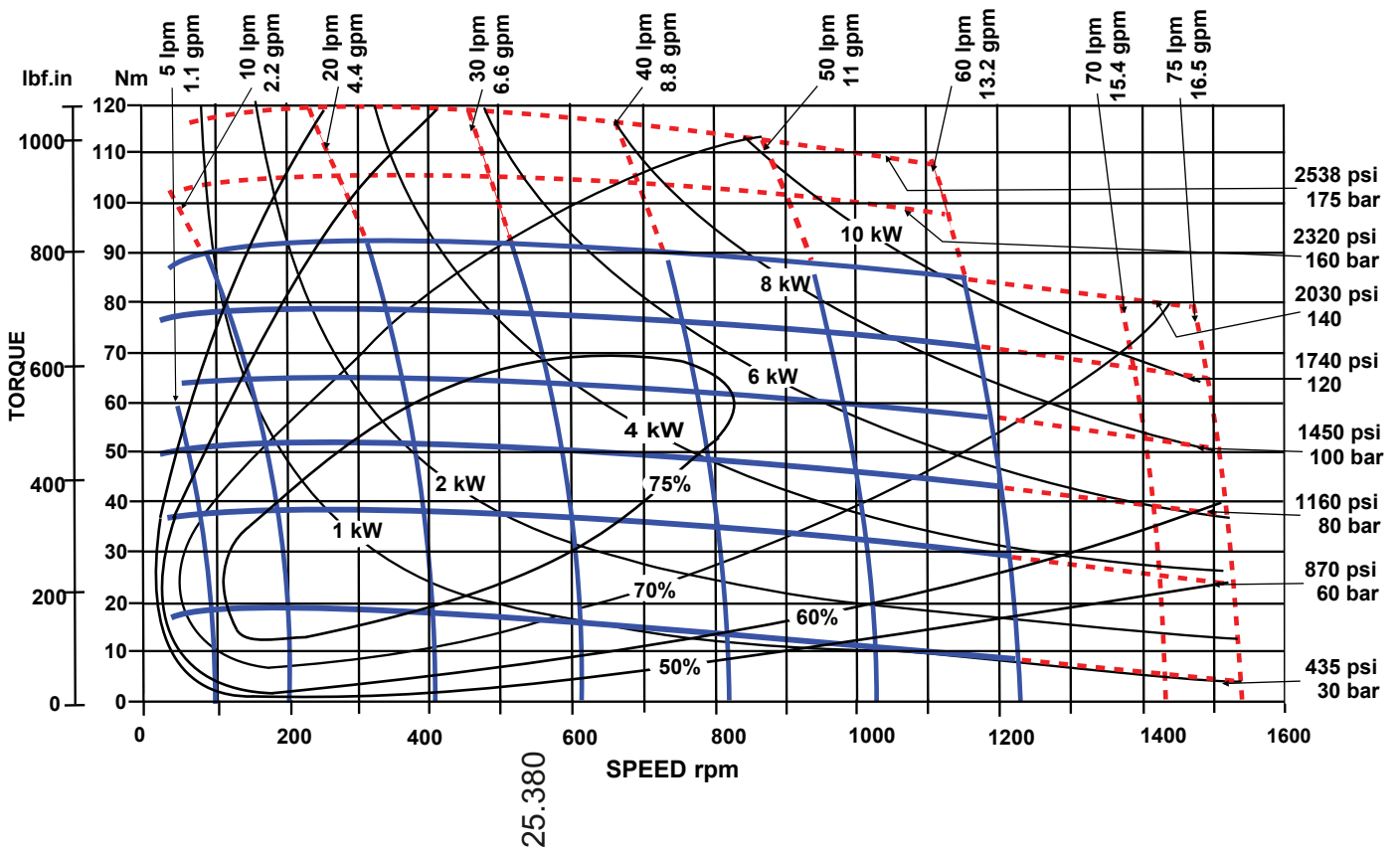


Solid blue lines represent continuous operation. Dotted red lines represent intermittent operation permissible for 10% of every minute.

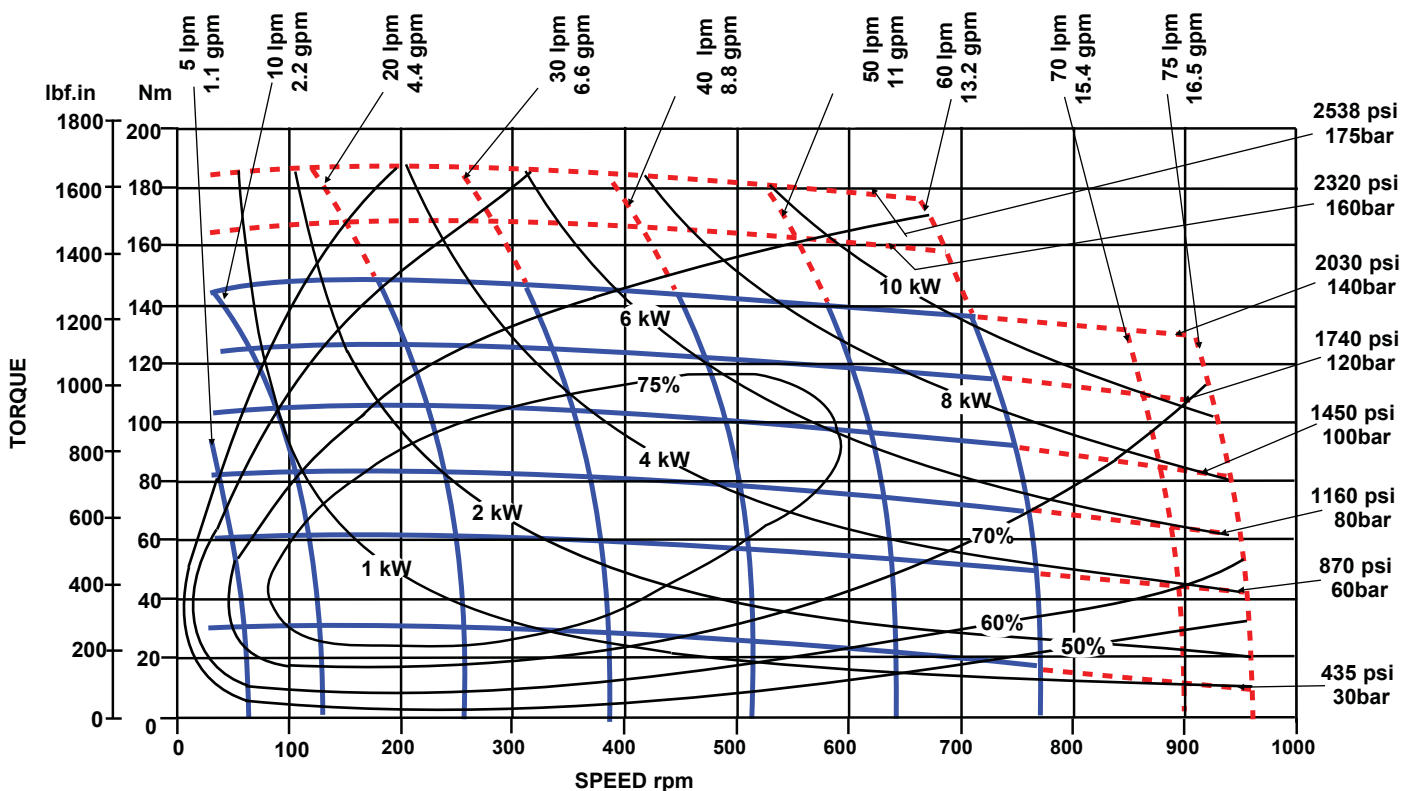
Maximum pressure drop and maximum speed must not occur simultaneously.

Maximum values are dependant on shaft type see note on page 3.

COMPACT 50



COMPACT 75



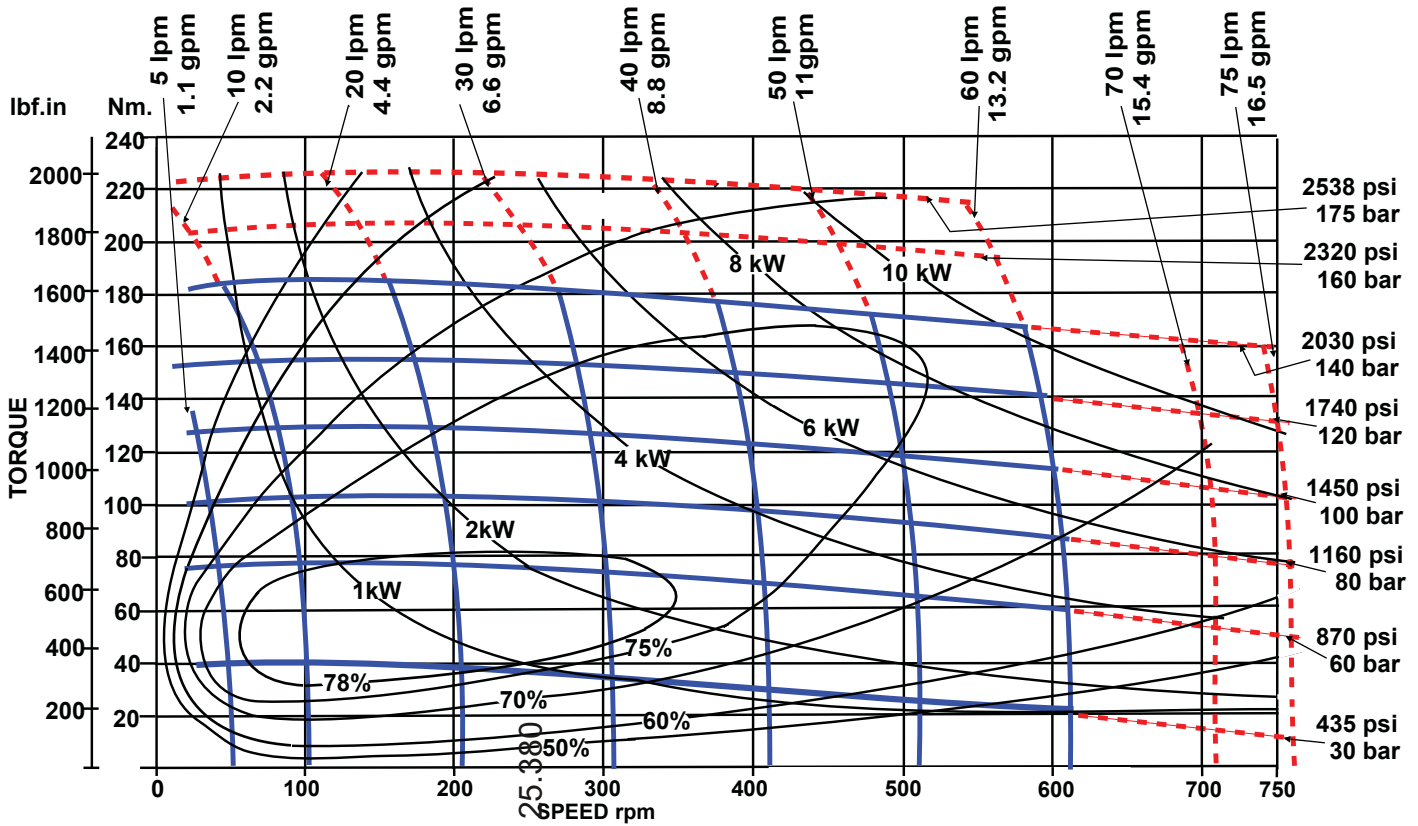
PERFORMANCE GRAPHS 100 & 150 cc COMPACT SERIES

Solid blue lines represent continuous operation. Dotted red lines represent intermittent operation permissible for 10% of every minute.

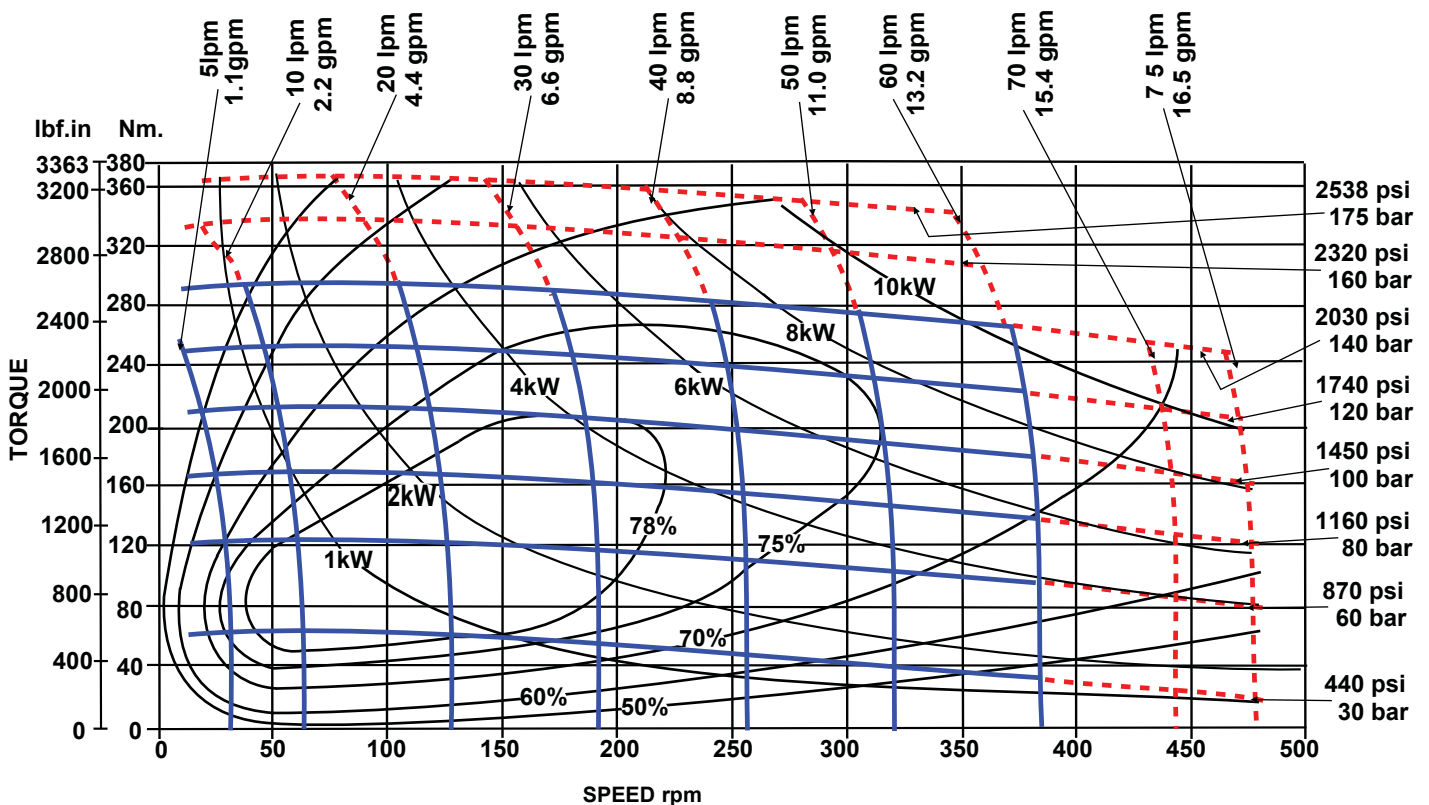
Maximum pressure drop and maximum speed must not occur simultaneously.

Maximum values are dependant on shaft type see note on page 3.

COMPACT 100



COMPACT 150



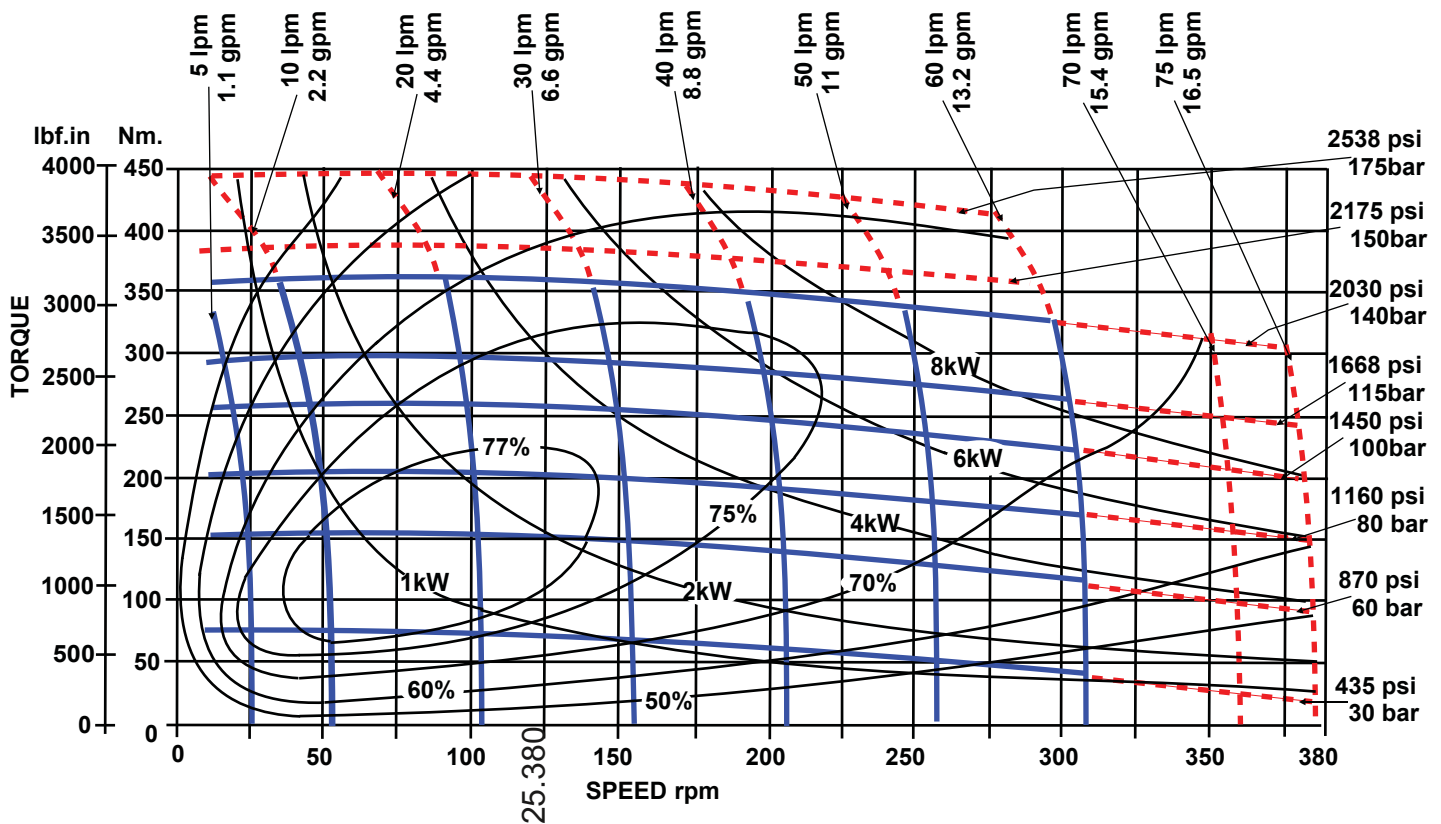
PERFORMANCE GRAPHS 200 & 300 cc COMPACT SERIES

Solid blue lines represent continuous operation. Dotted red lines represent intermittent operation permissible for 10% of every minute.

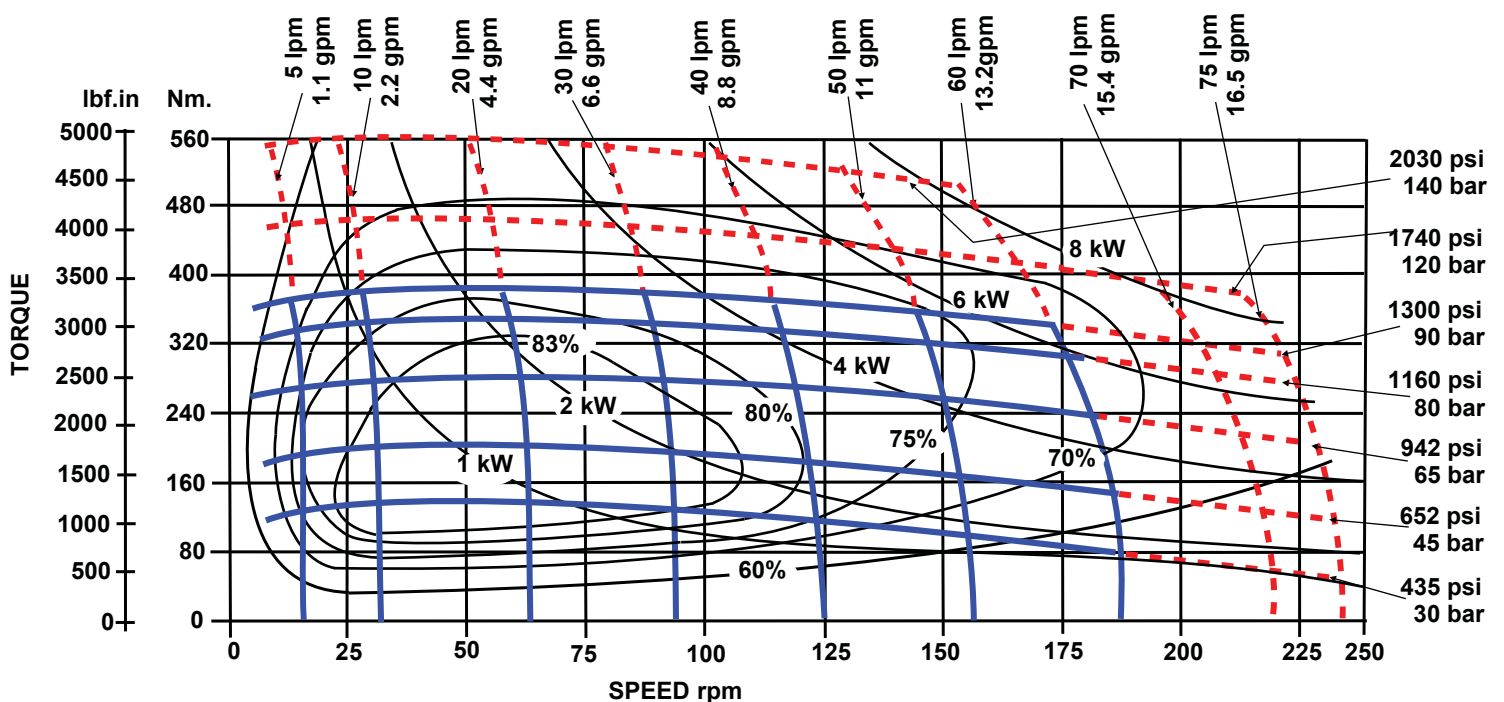
Maximum pressure drop and maximum speed must not occur simultaneously.

Maximum values are dependant on shaft type see note on page 3.

COMPACT 200



COMPACT 300



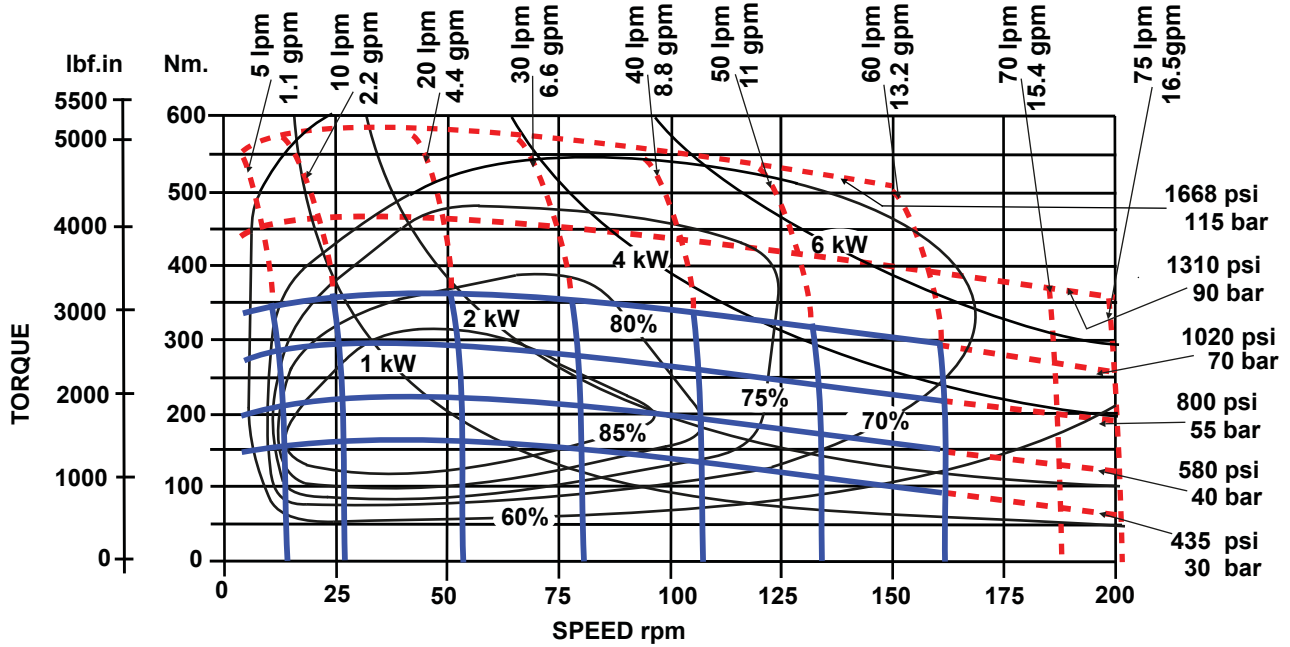
PERFORMANCE GRAPHS 400 cc COMPACT SERIES

Solid blue lines represent continuous operation. Dotted red lines represent intermittent operation permissible for 10% of every minute.

Maximum pressure drop and maximum speed must not occur simultaneously.

Maximum values are dependant on shaft type see note on page 3.

COMPACT 400



25.380

The policy of Adan Limited is one of continual development and the right is reserved to alter specifications without notice.



ADAN LIMITED

RIVERSIDE IND. ESTATE BOSTON LINCOLNSHIRE ENGLAND

Tel: +44 (01205) 311500

email: sales@adanltd.co.uk | website: www.adanltd.co.uk

