



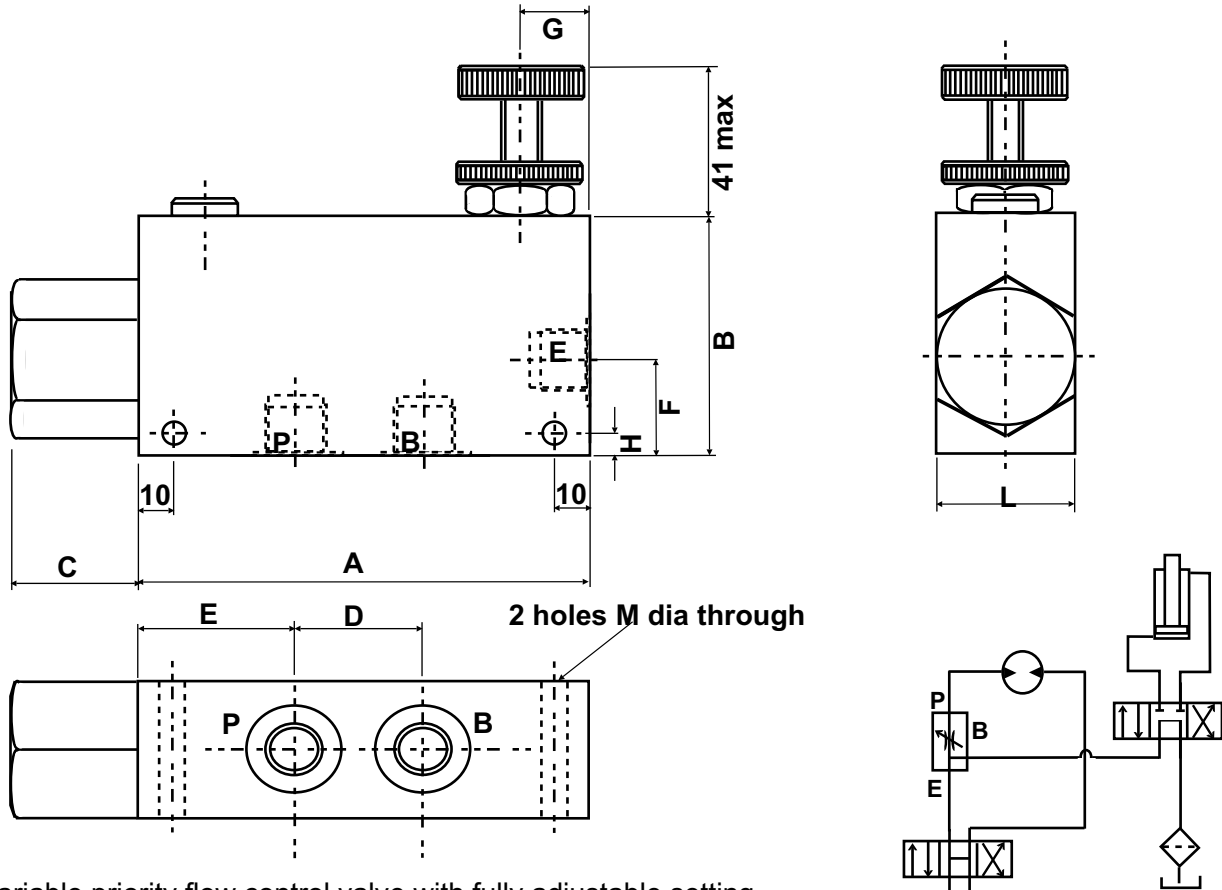
ANCILLARY EQUIPMENT

AFCV 12 & 34

FLOW CONTROL VALVE



FLOW CONTROL VALVE



Variable priority flow control valve with fully adjustable setting. These valves split a single input flow into a priority regulated flow and a by-pass flow which can be used in a second circuit or to tank. Constant priority flow is maintained regardless of any fluctuations of input flow or pressure.

Flow adjustment range 0 - 3 turns
 working pressure 250 bar
 temperature range -30° > $+80^{\circ}$ deg C

QE Maximum inlet flow lpm Maximum
 QP Maximum priority flow lpm Oil

VALVE CODE	PORT SIZE	A	B	C	D	E	F	G	H	L	M	QE LPM	QP LPM
AFCV 12	1/2" BSP	130	70	38	37	45	28	20	6.5	40	6.5	90	55
AFCV 34	3/4" BSP	155	90	35	44	54	35	25	7.5	50	8.5	150	90

The policy of Adan Limited is one of continual development and the right is reserved to alter specifications without notice.



ADAN LIMITED
 RIVERSIDE IND. ESTATE BOSTON LINCOLNSHIRE ENGLAND
 Tel: +44 (0)1205) 311500
 email: sales@adanltd.co.uk | website: www.adanltd.co.uk

