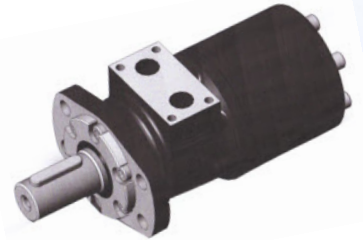




H SERIES

HYDRAULIC MOTOR

HIGH TORQUE - LOW SPEED



| TYPE | | | | | | | | | | | | |
|--------------------|-----------------|------|------|------|------|-------|-------|-------|-------|-------|-------|-------|
| MOTOR SIZE | | 32 | 50 | 63 | 75 | 100 | 125 | 150 | 200 | 250 | 300 | 400 |
| DISPLACEMENT | cm ³ | 33.0 | 49.7 | 65.9 | 81.8 | 101.2 | 126.1 | 160.8 | 200.9 | 250.8 | 315.5 | 399.9 |
| | in ³ | 2.02 | 3.04 | 4.04 | 5.01 | 6.20 | 7.72 | 9.85 | 12.30 | 15.36 | 19.32 | 25.27 |
| MAX. SPEED | rpm cont. | 1400 | 775 | 750 | 750 | 600 | 475 | 375 | 300 | 240 | 190 | 160 |
| | rpm int. | 1600 | 1000 | 1000 | 940 | 750 | 600 | 450 | 375 | 300 | 240 | 200 |
| MAX. TORQUE | Nm cont. | 44 | 100 | 140 | 195 | 240 | 300 | 380 | 450 | 540 | 550 | 580 |
| | lbf.in cont. | 390 | 885 | 1240 | 1730 | 2120 | 2660 | 3360 | 3980 | 4780 | 4870 | 5130 |
| | Nm int. | 62 | 130 | 170 | 220 | 280 | 340 | 430 | 500 | 610 | 690 | 690 |
| | lbf.in int. | 550 | 1150 | 1505 | 1950 | 2480 | 3010 | 3810 | 4430 | 5400 | 6110 | 6110 |
| MAX. PRESSURE DROP | bar cont. | 100 | 140 | 140 | 175 | 175 | 175 | 175 | 175 | 175 | 135 | 115 |
| | psi int. | 1450 | 2030 | 2030 | 2540 | 2540 | 2540 | 2540 | 2540 | 2540 | 1230 | 1020 |
| | bar int. | 140 | 175 | 175 | 200 | 200 | 200 | 200 | 200 | 200 | 175 | 150 |
| | psi int. | 2030 | 2540 | 2540 | 2900 | 2900 | 2900 | 2900 | 2900 | 2900 | 2540 | 2180 |
| MAX. OIL FLOW | lpm cont. | 50 | 40 | 50 | 60 | 60 | 60 | 60 | 60 | 60 | 60 | 60 |
| | gpm cont. | 11 | 8.8 | 11 | 13.2 | 13.2 | 13.2 | 13.2 | 13.2 | 13.2 | 13.2 | 13.2 |
| | lpm int. | 55 | 50 | 62 | 75 | 75 | 75 | 75 | 75 | 75 | 75 | 75 |
| | gpm int. | 12.2 | 11 | 13.6 | 16.5 | 16.5 | 16.5 | 16.5 | 16.5 | 16.5 | 16.5 | 16.5 |
| WEIGHT | kg | 6.2 | 6.4 | 6.7 | 6.8 | 7.1 | 7.3 | 7.5 | 8.0 | 8.5 | 8.9 | 9.9 |

Maximum inlet pressure 3250 psi - 224 bar
High pressure shaft seal drain line not required for most applications.

Maximum pressure drop and speed must not be reached simultaneously.
Intermittent operation may occur for 10% max. of every minute.

At speeds lower than 10 rpm please consult our Technical Department.

Mineral based hydraulic fluids with anti-wear additives are recommended with a viscosity of 35 mm²/s at a temperature of 50 C.

Minimum recommended oil viscosity 13 mm²/s at operating temperature.

Recommended oil cleanliness ISO 19/14 with a nominal filtration of 25 micron or better.

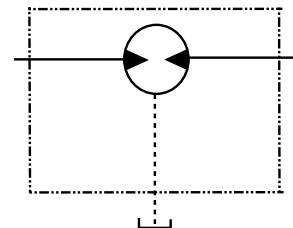
Where non-flammable fluids are to be used it is advisable to consult our Technical Department.

Ambient temperature should be between -30°C and +90°C.

Normal operating temperature should be between +30°C and +60°C.

Maximum operating temperature +85°C.

SYMBOL



The policy of Adan Limited is one of continual development and the right is reserved to alter specifications without notice.



ADAN LIMITED

RIVERSIDE IND. ESTATE BOSTON LINCOLNSHIRE ENGLAND

Tel: +44 (01205) 311500

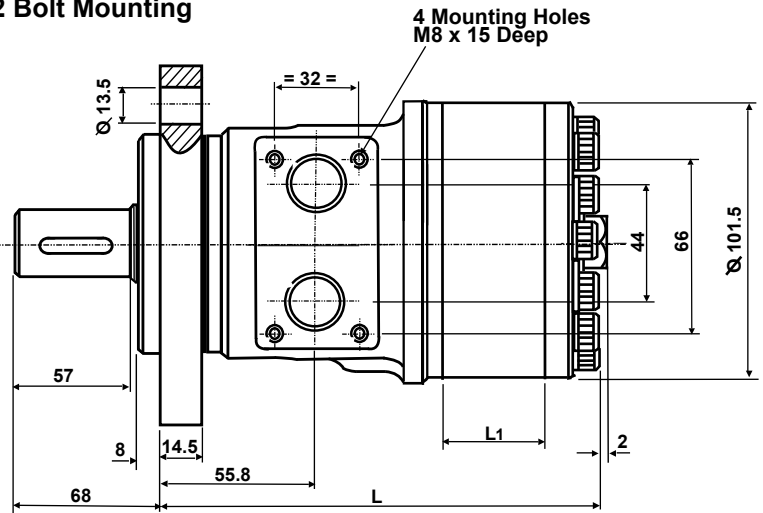
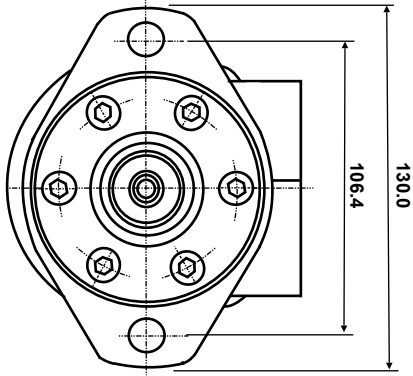
email: sales@adanltd.co.uk

Fax: +44 (01205) 358013

website: www.adanltd.co.uk



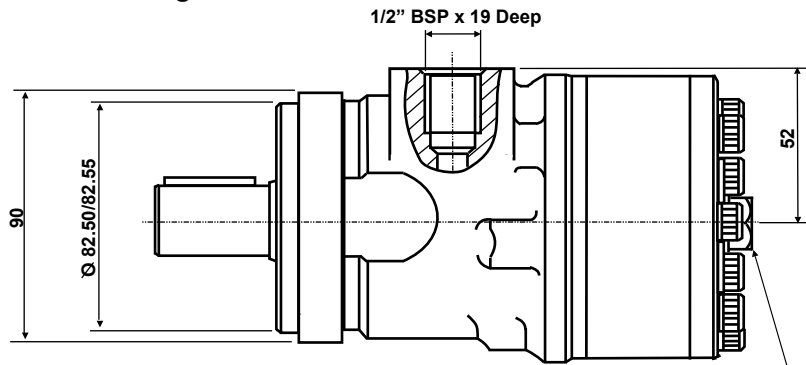
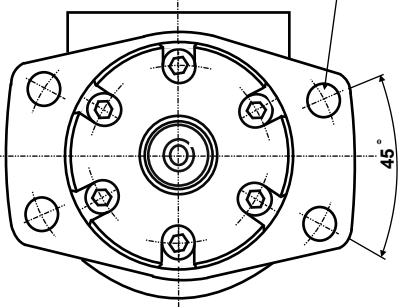
Std. 2 Bolt Mounting



4 Mounting Holes
M8 x 15 Deep

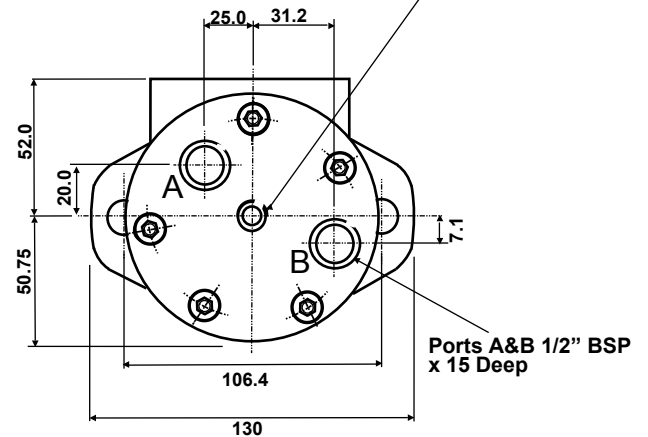
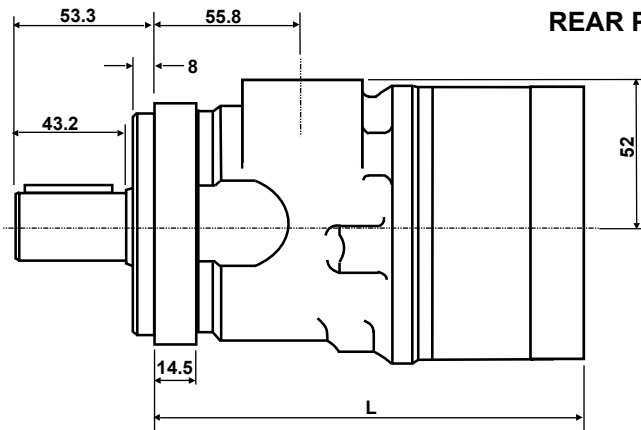
4 HOLES ON 106.4 PCD
13.5 DIA THROUGH

4 Bolt Magneto 'F'



DRAIN CONNECTION 1/4" BSP
PLUGGED WHEN NOT REQUIRED

REAR PORT RP

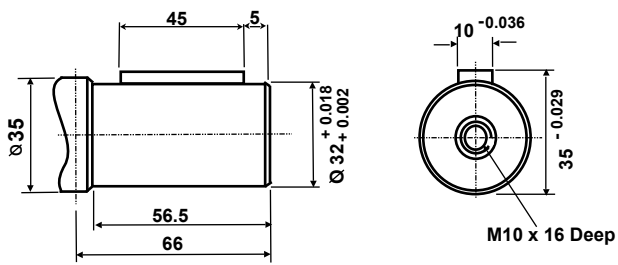


Ports A&B 1/2" BSP
x 15 Deep

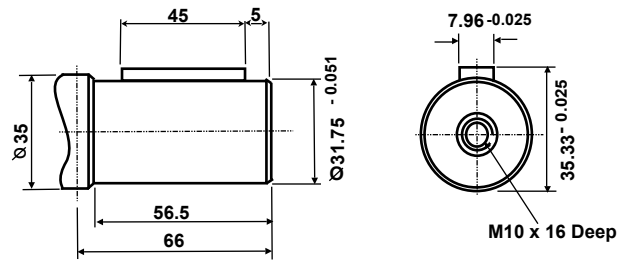
For performance graphs see H performance sheet

For shaft details see H shaft options

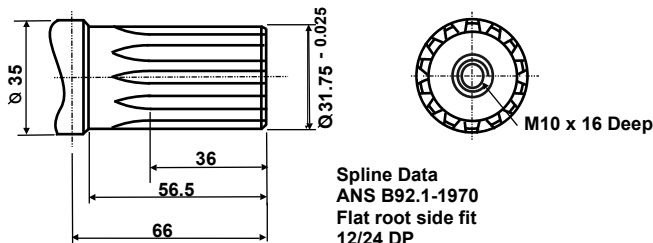
| Motor size | Dimn. | 32 | 50 | 63 | 75 | 100 | 125 | 150 | 200 | 250 | 300 | 400 |
|------------|----------------|-------|-------|-------|-------|-------|-------|-------|-------|-------|-------|-------|
| ALL TYPES | L ₁ | 5.8 | 8.7 | 11.5 | 14.3 | 17.7 | 22.0 | 28.1 | 35.0 | 43.8 | 55.0 | 69.8 |
| AHMP | L | 131.6 | 134.5 | 137.3 | 140.1 | 143.5 | 147.8 | 153.9 | 160.8 | 169.6 | 180.8 | 195.6 |



Standard 32mm Shaft - P



1 1/4" Dia. Shaft - U



Spline Data
ANS B92.1-1970
Flat root side fit
12/24 DP
30° Pressure Angle
14 Teeth

Splined Shaft - S

The policy of Adan Limited is one of continual development and the right is reserved to alter specifications without notice.

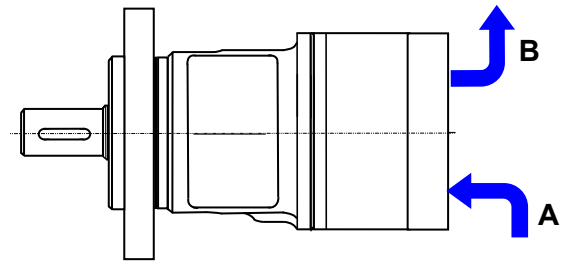
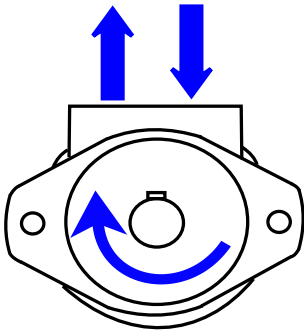
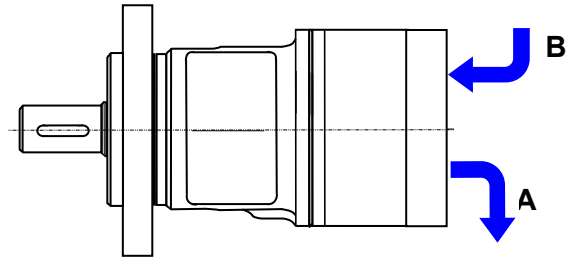
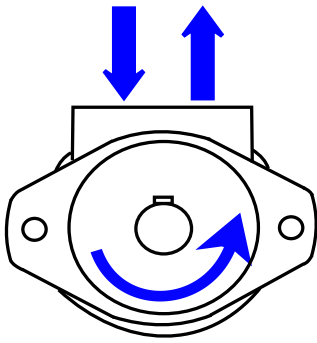


ADAN LIMITED

RIVERSIDE IND. ESTATE BOSTON LINCOLNSHIRE ENGLAND
Tel: +44 (01205) 311500 Fax: +44 (01205) 358013
email: sales@adanltd.co.uk website: www.adanltd.co.uk



SHAFT ROTATION



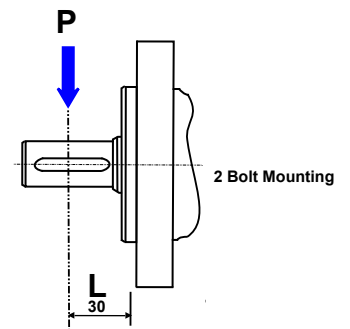
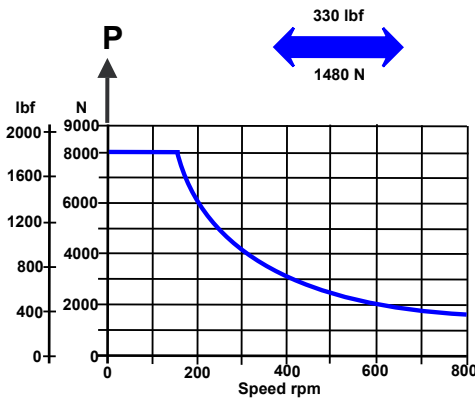
SHAFT LOADING

2 Bolt Flange

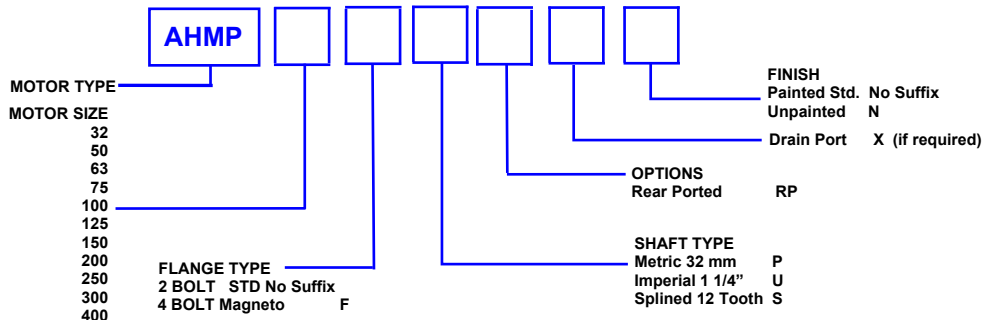
$$P = \frac{800}{n} \times \frac{250000}{95 + L} \text{ N}$$

$$P = \frac{800}{n} \times \frac{2215}{3.74 + L} \text{ lbf}$$

n = speed rpm
 For metric L in mm
 For imperial L in inches



ORDERING CODE



The policy of Adan Limited is one of continual development and the right is reserved to alter specifications without notice.



ADAN LIMITED

RIVERSIDE IND. ESTATE BOSTON LINCOLNSHIRE ENGLAND
 Tel: +44 (01205) 311500 Fax: +44 (01205) 358013
 email: sales@adanltd.co.uk website: www.adanltd.co.uk

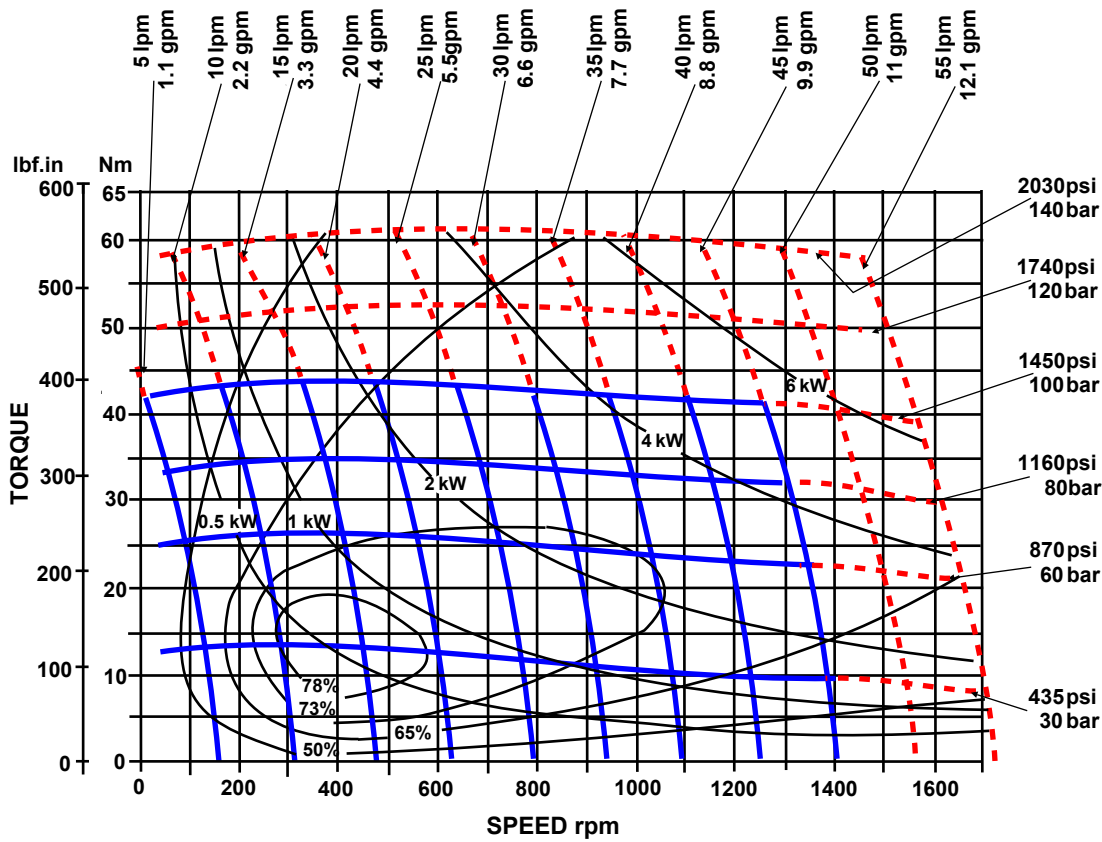


PERFORMANCE GRAPHS 32 & 50 cc H SERIES

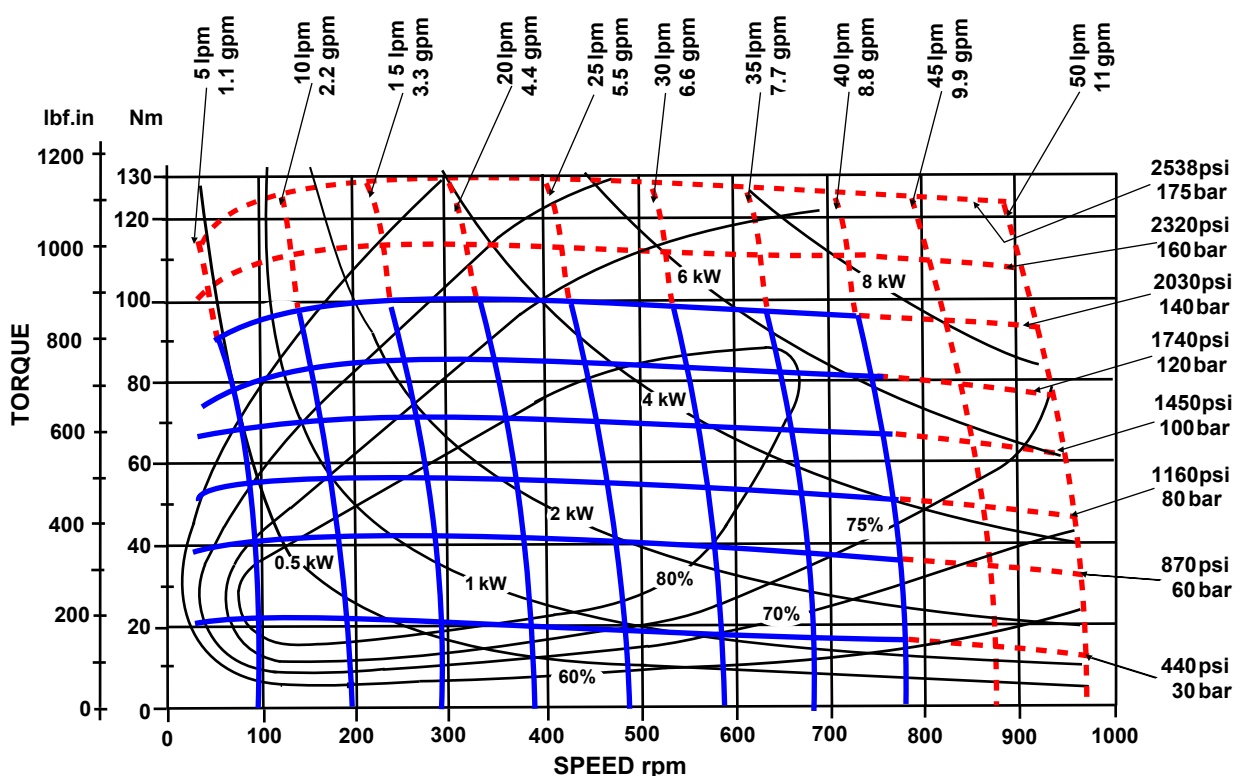
Solid blue lines represent continuous operation. Dotted red lines represent intermittent operation permissible for 10% of every minute.

Maximum pressure drop and maximum speed must not occur simultaneously.

AHMP 32



AHMP 50

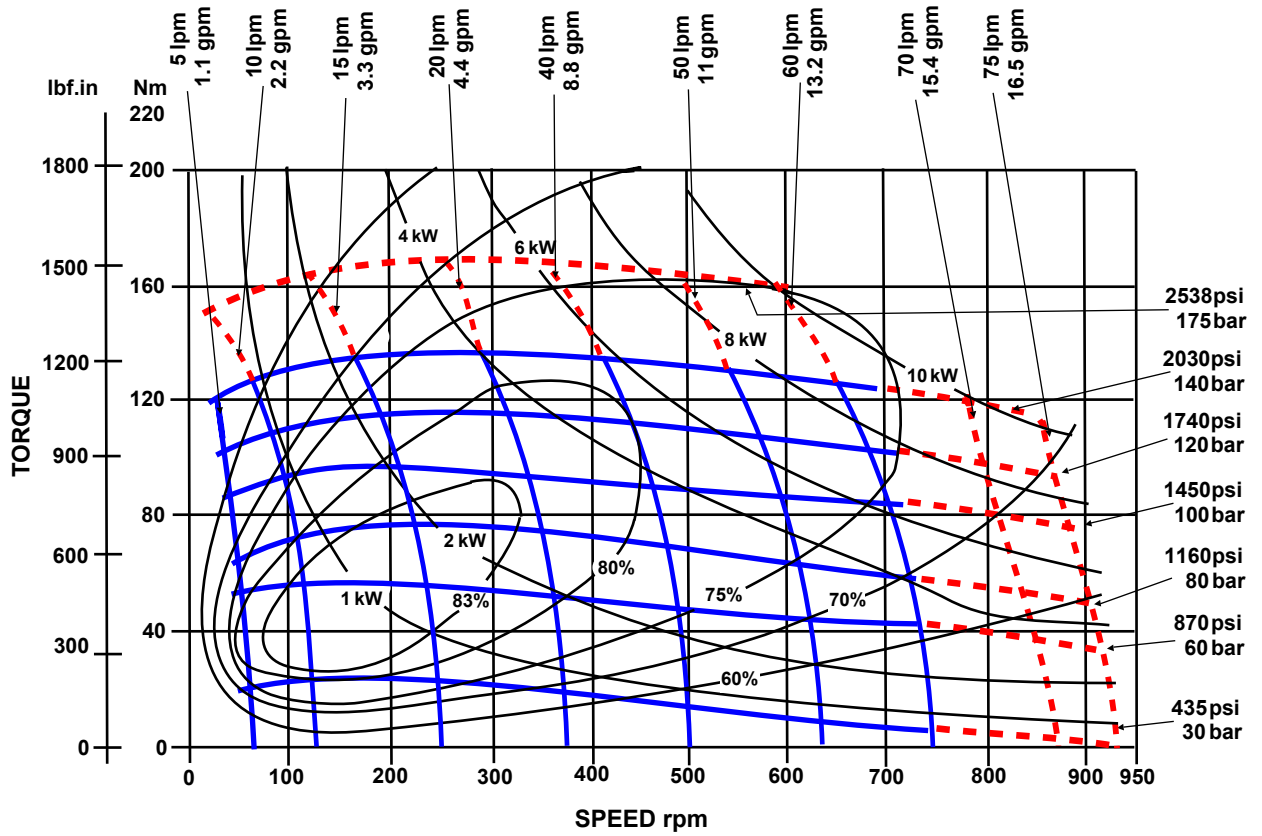


PERFORMANCE GRAPHS 63 & 75 cc H SERIES

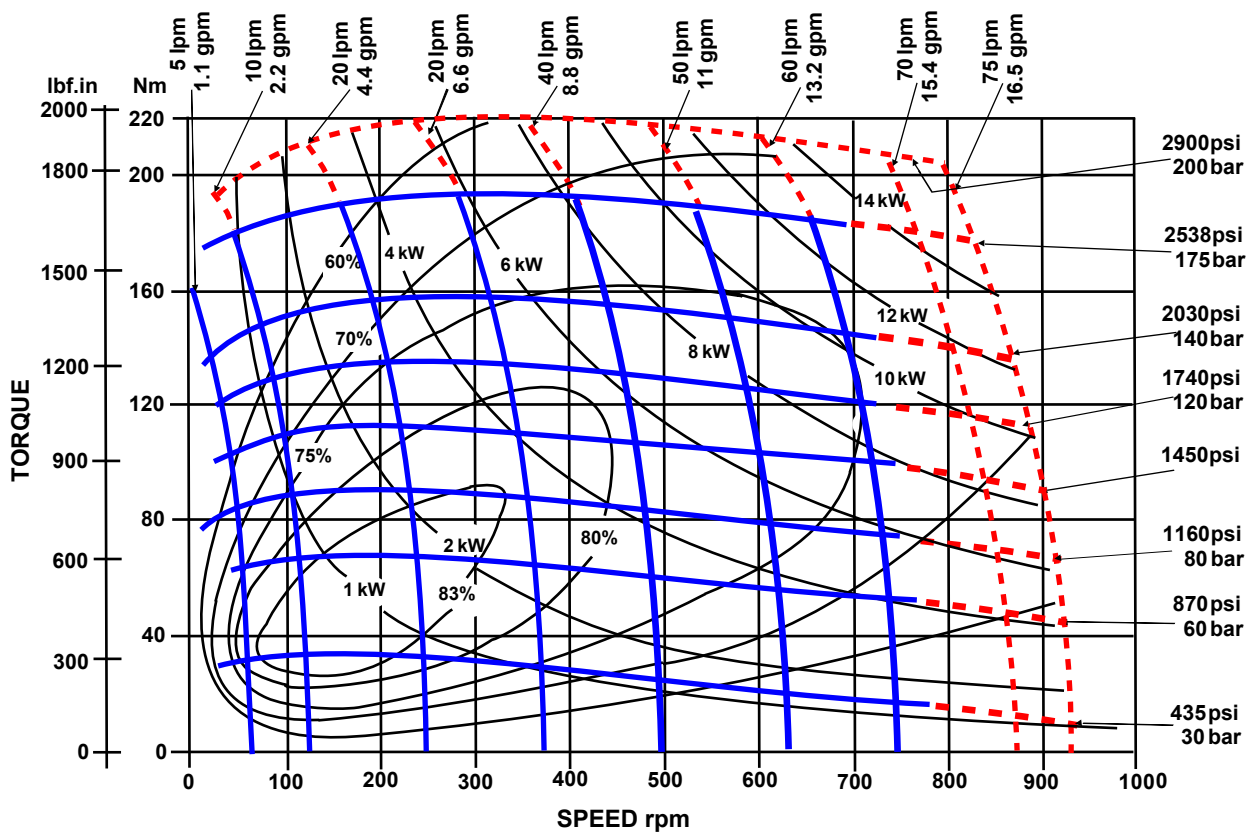
Solid blue lines represent continuous operation. Dotted red lines represent intermittent operation permissible for 10% of every minute.

Maximum pressure drop and maximum speed must not occur simultaneously.

AHMP 63



AHMP 75

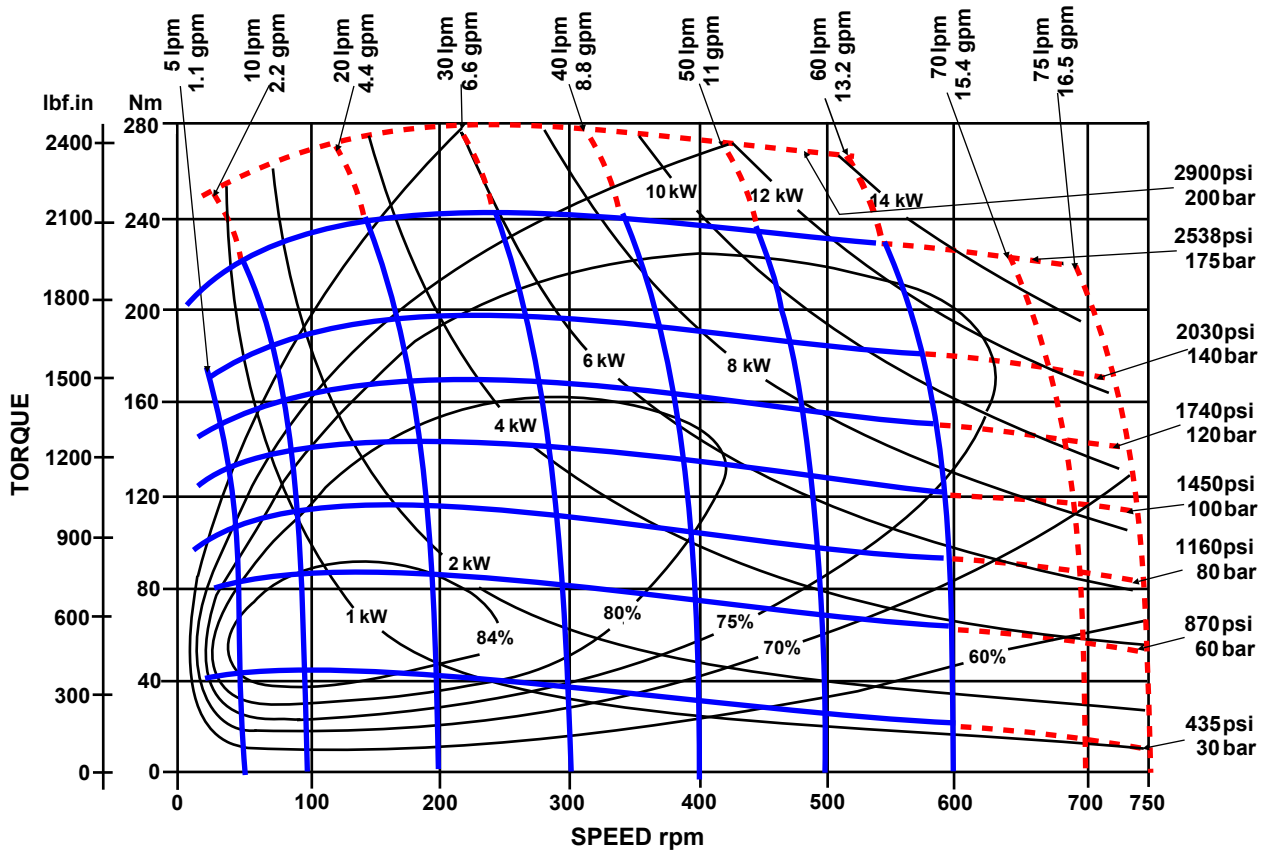


PERFORMANCE GRAPHS 100 & 125 cc H SERIES

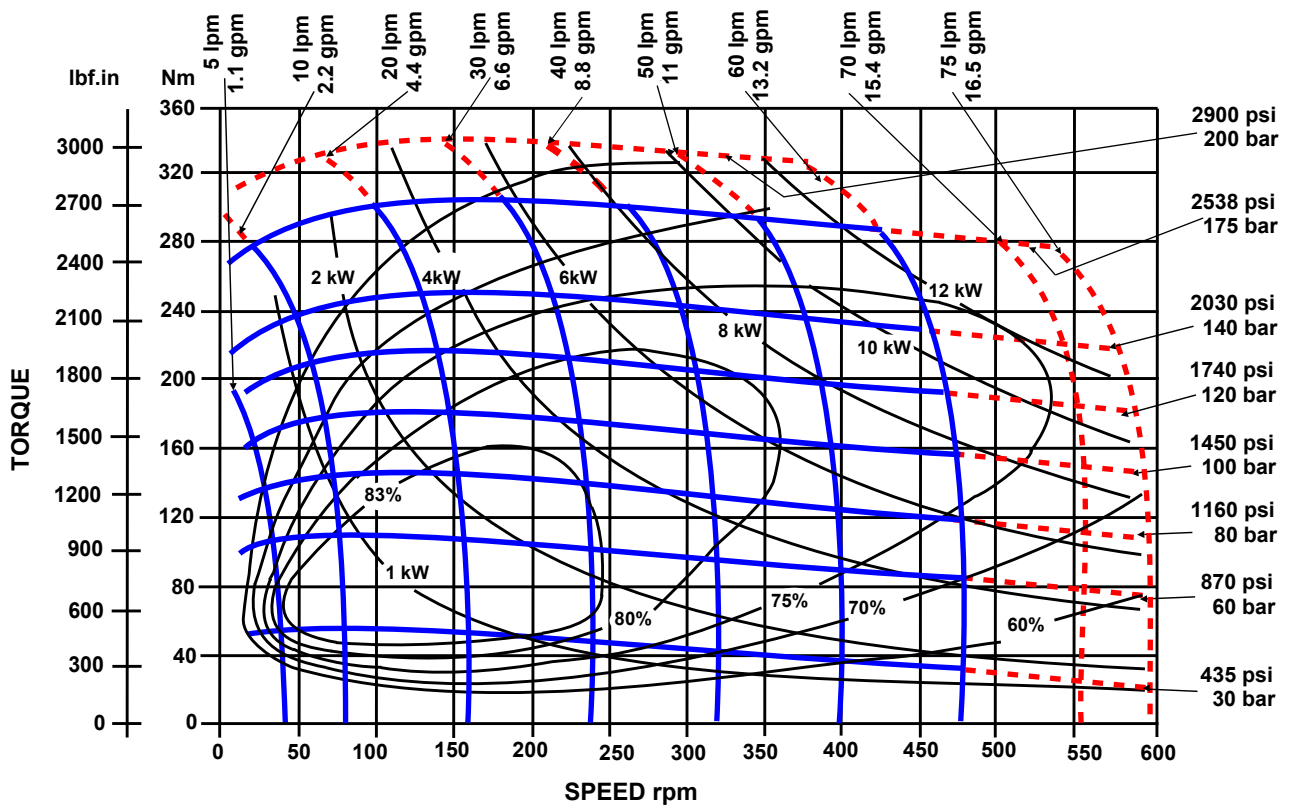
Solid blue lines represent continuous operation. Dotted red lines represent intermittent operation permissible for 10% of every minute.

Maximum pressure drop and maximum speed must not occur simultaneously.

AHMP 100



AHMP 125

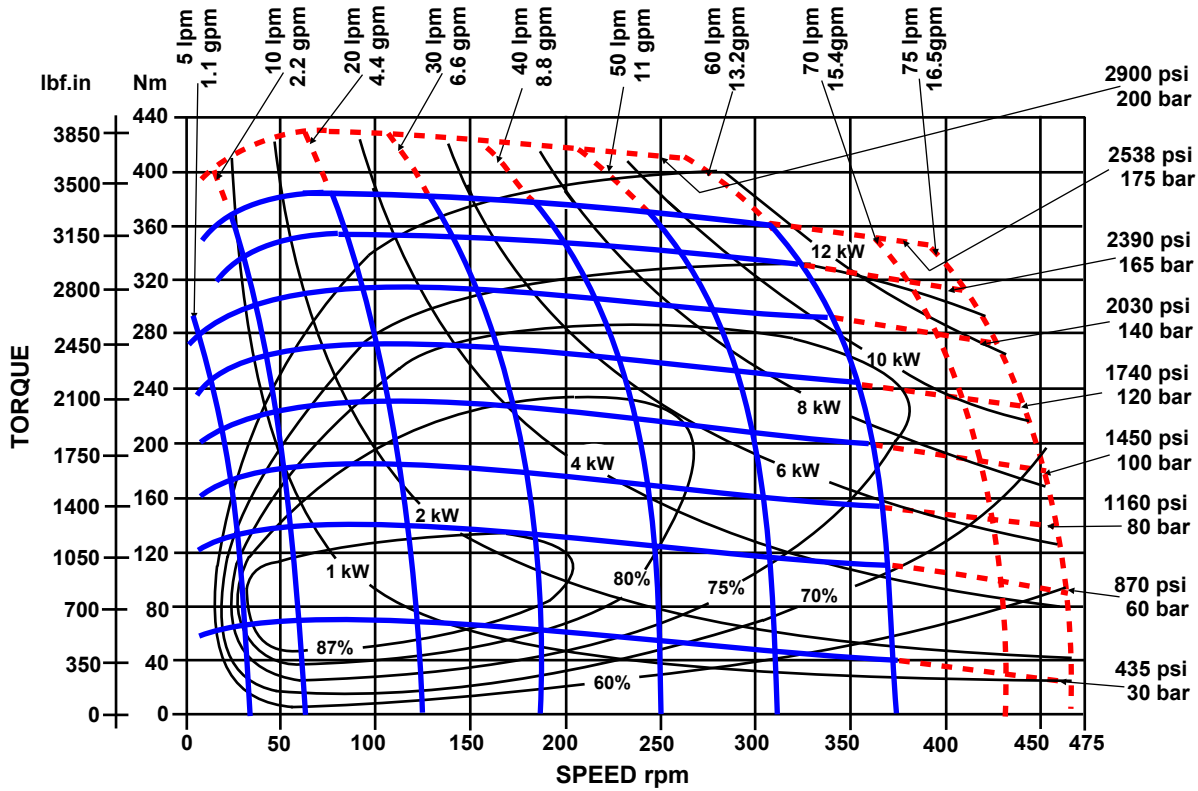


PERFORMANCE GRAPHS 150 & 200 cc H SERIES

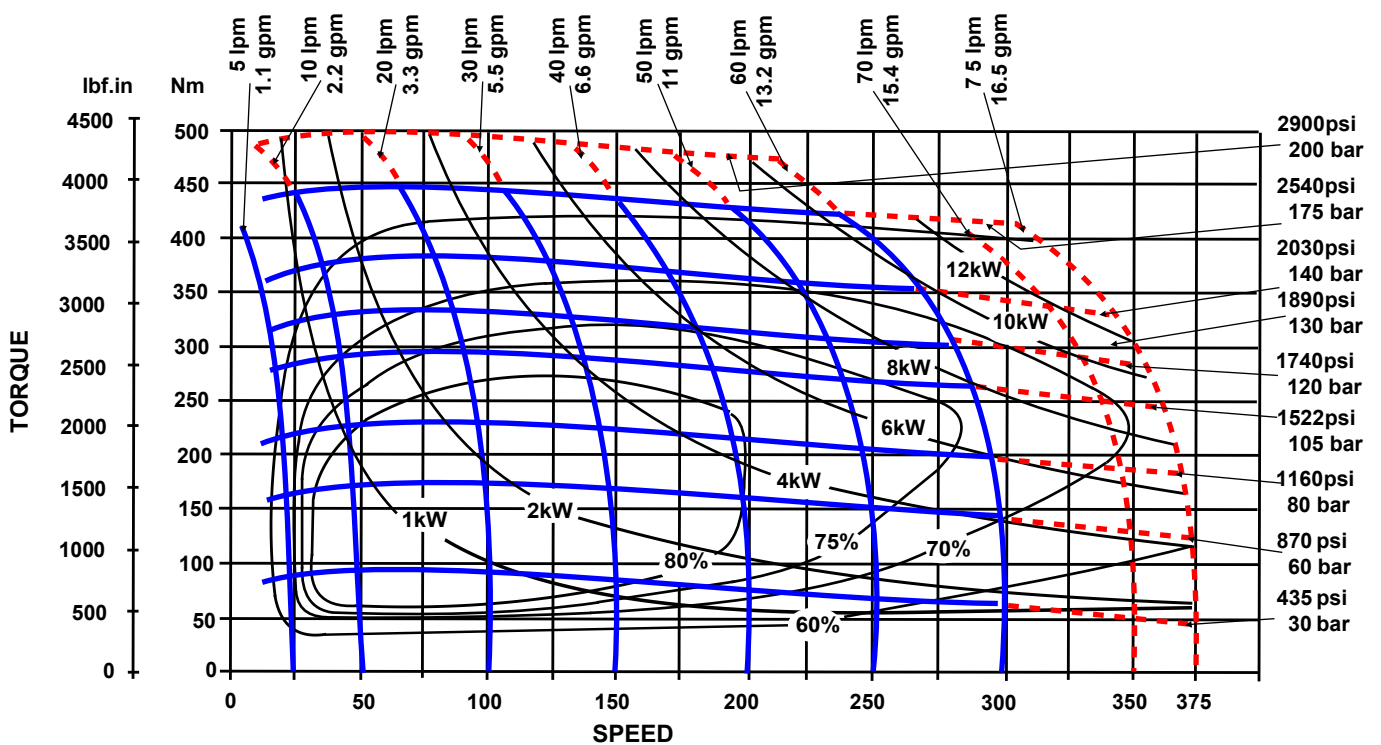
Solid blue lines represent continuous operation. Dotted red lines represent intermittent operation permissible for 10% of every minute.

Maximum pressure drop and maximum speed must not occur simultaneously.

AHMP 150



AHMP 200

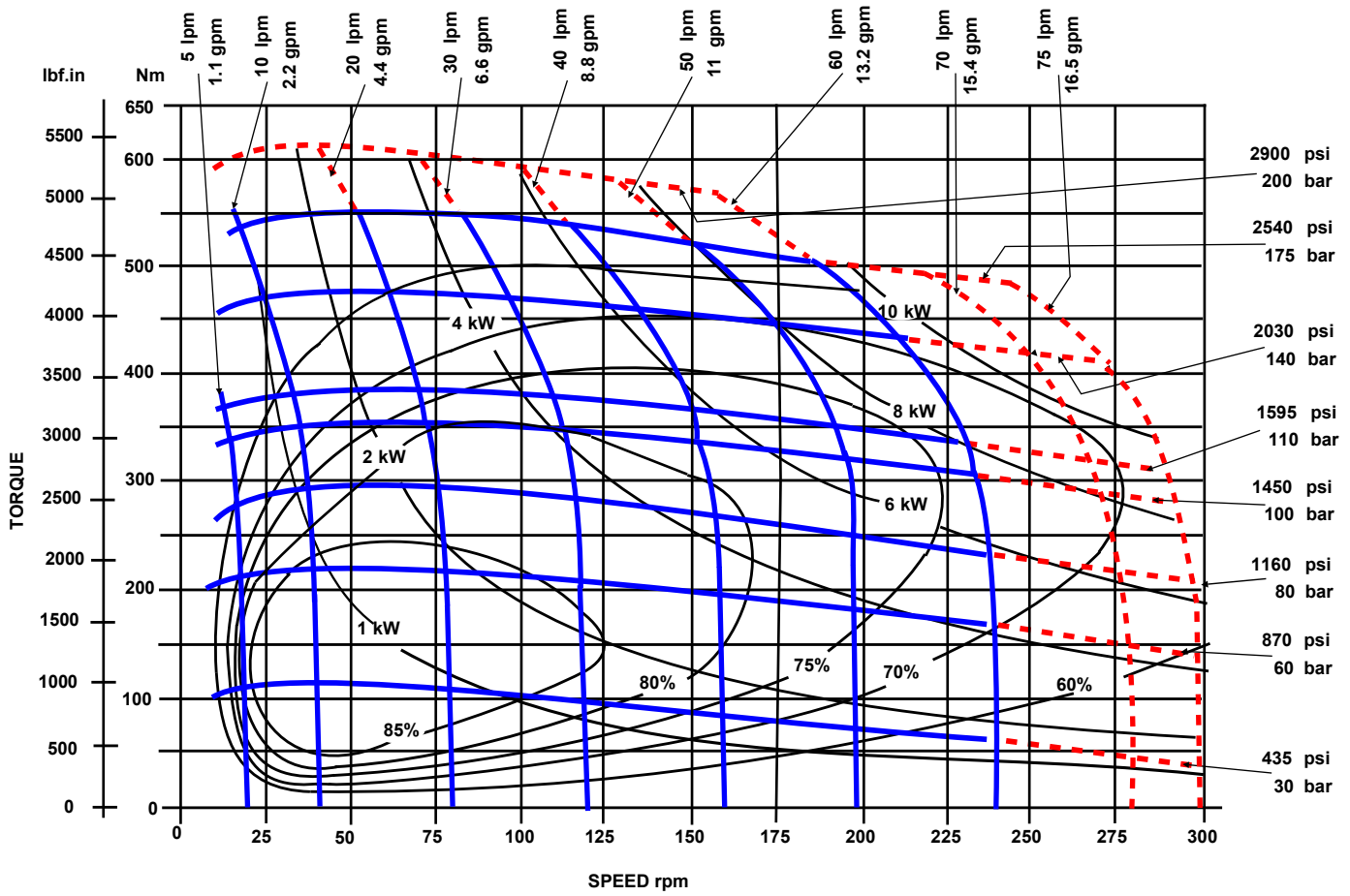


PERFORMANCE GRAPHS 250 & 300 cc _____ H SERIES

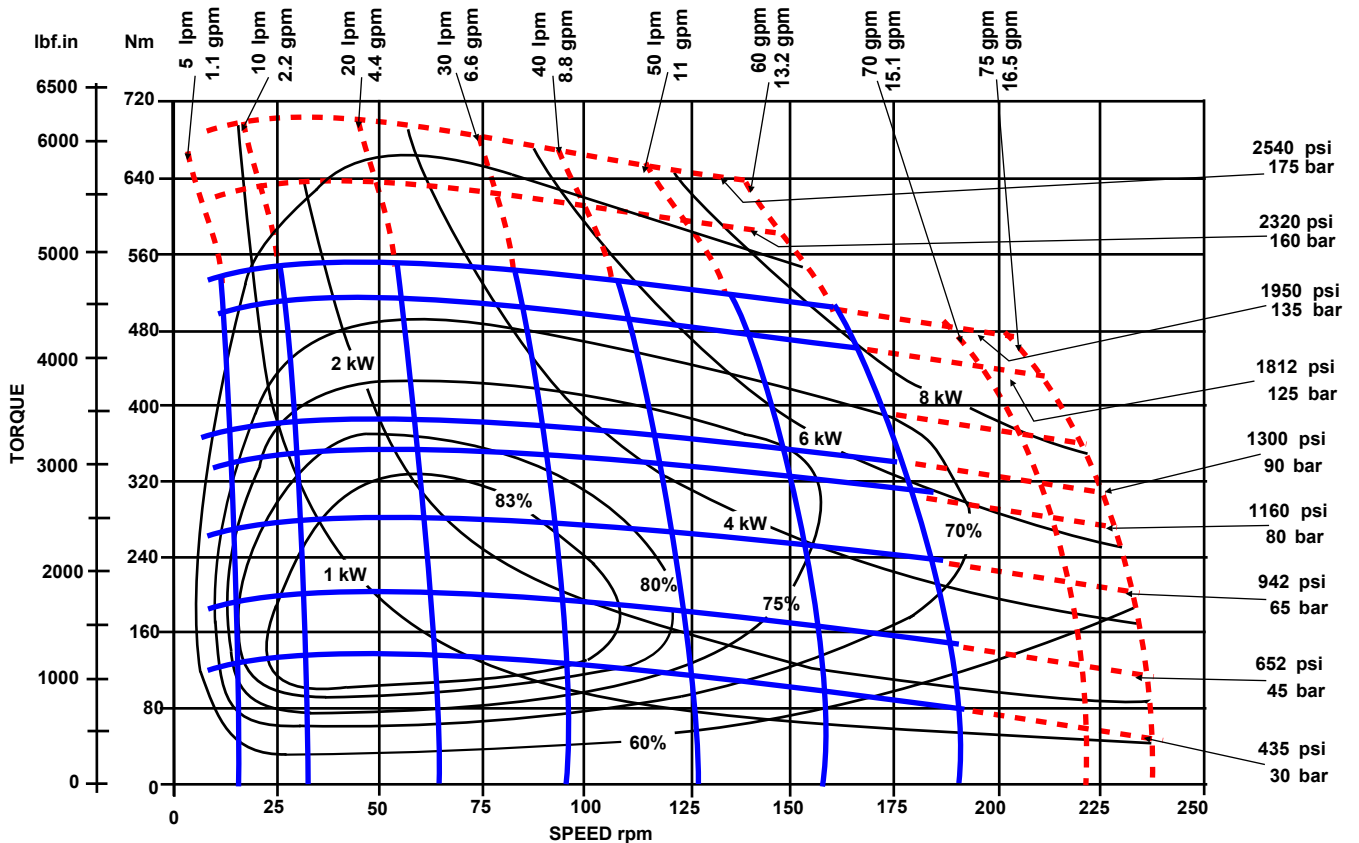
Solid blue lines represent continuous operation. Dotted red lines represent intermittent operation permissible for 10% of every minute.

Maximum pressure drop and maximum speed must not occur simultaneously.

AHMP 250



AHMP 300

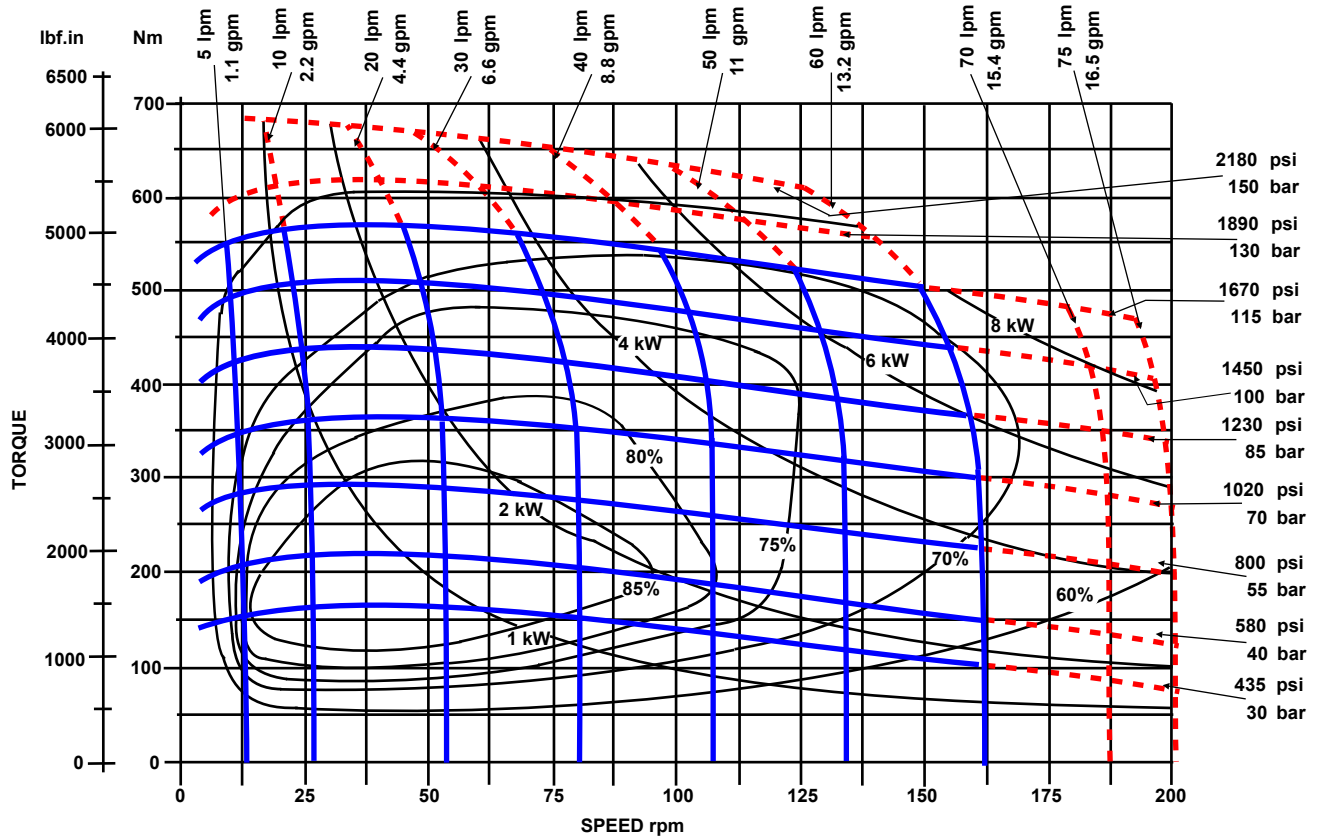


PERFORMANCE GRAPHS 400 cc _____ H SERIES

Solid blue lines represent continuous operation. Dotted red lines represent intermittent operation permissible for 10% of every minute.

Maximum pressure drop and maximum speed must not occur simultaneously.

AHMP 400



The policy of Adan Limited is one of continual development and the right is reserved to alter specifications without notice.



ADAN LIMITED

RIVERSIDE IND. ESTATE BOSTON LINCOLNSHIRE ENGLAND
 Tel: +44 (01205) 311500 Fax: +44 (01205) 358013
 email: sales@adanltd.co.uk website: www.adanltd.co.uk

