

# AMM

## HYDRAULIC MOTOR HIGH TORQUE - LOW SPEED



| TYPE               | AMM             |      |      |      |      |      |      |
|--------------------|-----------------|------|------|------|------|------|------|
| MOTOR SIZE         |                 | 08   | 12.5 | 20   | 32   | 40   | 50   |
| DISPLACEMENT       | cm <sup>3</sup> | 8.2  | 12.9 | 20.0 | 31.8 | 40.0 | 50.0 |
|                    | in <sup>3</sup> | 0.50 | 0.80 | 1.24 | 1.98 | 2.49 | 3.12 |
| MAX. SPEED         | rpm cont.       | 1950 | 1550 | 1000 | 630  | 500  | 400  |
|                    | rpm int.        | 2440 | 1940 | 1250 | 790  | 625  | 500  |
| MAX. TORQUE        | Nm cont.        | 11   | 16   | 25   | 40   | 41   | 45   |
|                    | lbf.in cont.    | 97   | 142  | 221  | 354  | 363  | 398  |
|                    | Nm int.         | 15   | 23   | 35   | 57   | 57   | 58   |
|                    | lbf.in int.     | 133  | 203  | 310  | 504  | 504  | 513  |
| MAX. PRESSURE DROP | bar cont.       | 100  | 100  | 100  | 100  | 80   | 70   |
|                    | bar int.        | 140  | 140  | 140  | 140  | 110  | 90   |
|                    | psi cont.       | 1450 | 1450 | 1450 | 1450 | 1160 | 1015 |
|                    | psi int.        | 2030 | 2030 | 2030 | 2030 | 1595 | 1471 |
| MAX. OIL FLOW      | lpm cont.       | 16   | 20   | 20   | 20   | 20   | 20   |
|                    | gpm cont.       | 3.5  | 4.4  | 4.4  | 4.4  | 4.4  | 4.4  |
|                    | lpm int.        | 20   | 25   | 25   | 25   | 25   | 25   |
|                    | gpm int.        | 4.4  | 5.5  | 5.5  | 5.5  | 5.5  | 5.5  |
| MIN. SPEED         | rpm             | 50   | 40   | 30   | 30   | 25   | 20   |
| WEIGHT kg          | AMM             | 1.9  | 2.0  | 2.1  | 2.2  | 2.3  | 2.5  |
|                    | AMM-P           | 2.1  | 2.2  | 2.3  | 2.4  | 2.5  | 2.7  |

For motors fitted with front flange add 0.2kg to the above weights.

Maximum continuous inlet pressure 2030 psi -140 bar  
Maximum intermittent inlet pressure 2540 psi -175 bar

Maximum pressure drop and speed must not be reached simultaneously.  
Intermittent operation may occur for 10% max. of every minute.

Mineral based hydraulic fluids with anti-wear additives are recommended  
with a viscosity of 35 mm<sup>2</sup>/s at a temperature of 50 C.

Minimum recommended oil viscosity 13 mm<sup>2</sup>/s at operating temperature.

Recommended oil cleanliness ISO 19/14 with a nominal filtration of  
25 micron or better.

Where non-flammable fluids are to be used it is advisable to consult our  
Technical Department.

Ambient temperature should be between -30°C and +90°C.

Normal operating temperature should be between +30°C and +60°C.

Maximum operating temperature +85 C.

*The policy of Adan Limited is one of continual development and the right is reserved to alter specifications without notice.*



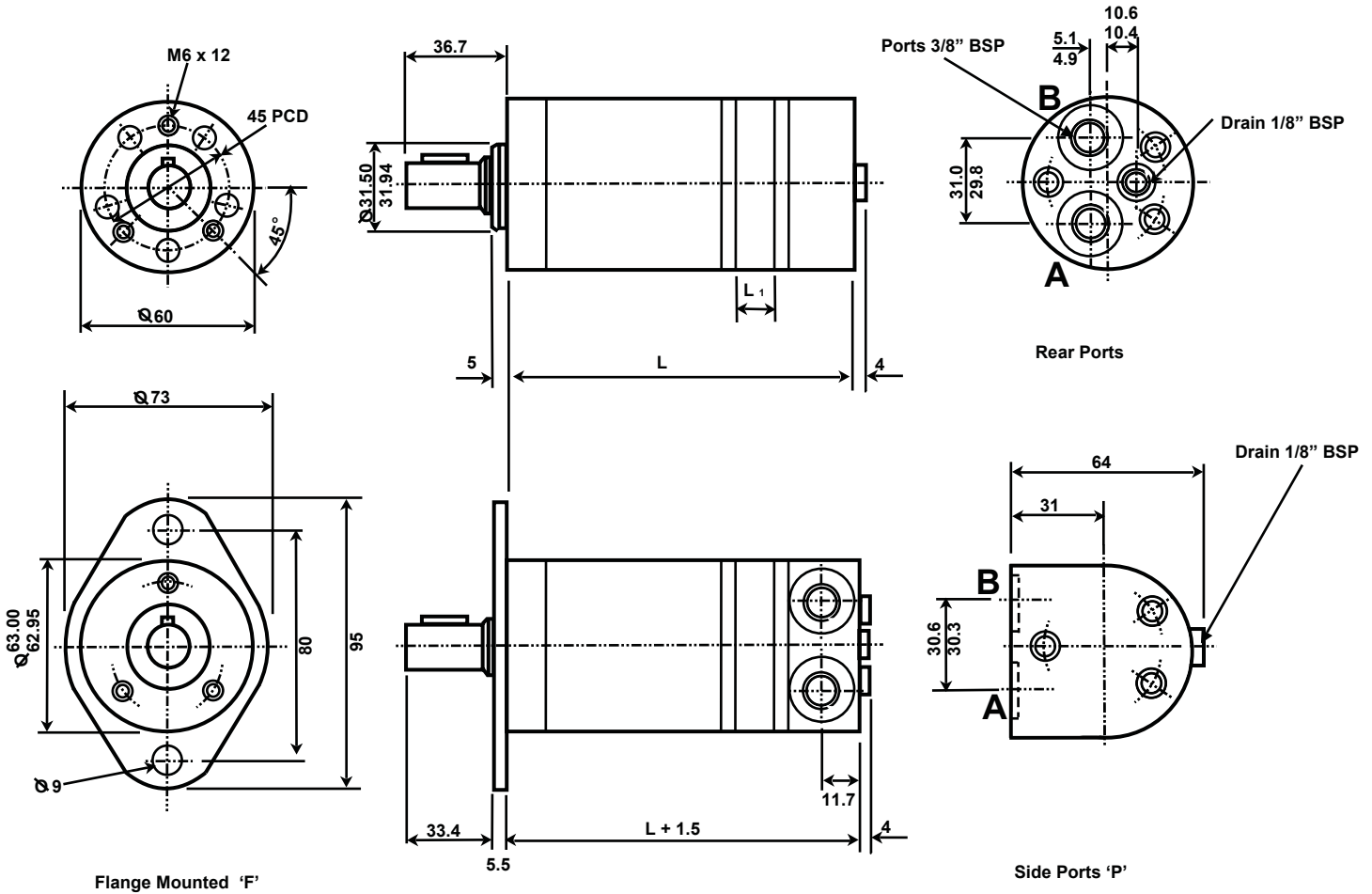
## ADAN LIMITED

RIVERSIDE IND. ESTATE BOSTON LINCOLNSHIRE ENGLAND

Tel: +44 (01205) 311500

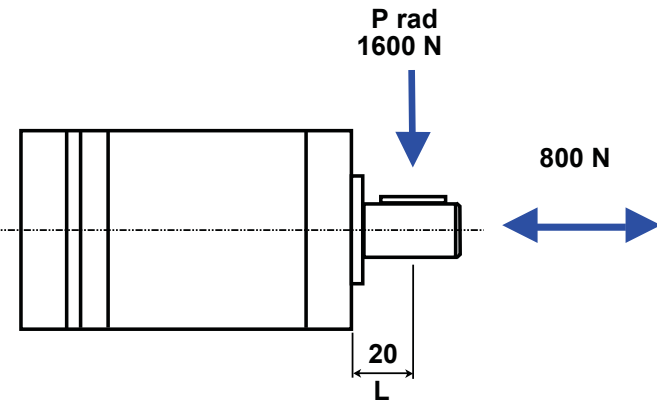
email: sales@adanltd.co.uk | website: www.adanltd.co.uk



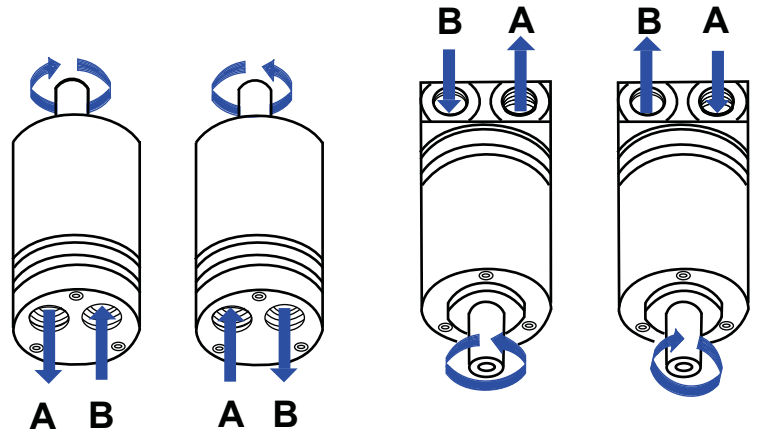


| MOTOR SIZE |    | AMM 08 | AMM 12.5 | AMM 20 | AMM 32 | AMM 40 | AMM 50 |
|------------|----|--------|----------|--------|--------|--------|--------|
| DIM L      | mm | 104    | 106      | 109    | 114    | 117.5  | 121.5  |
| DIM L1     | mm | 3.5    | 5.5      | 8.5    | 13.5   | 17.0   | 21.0   |

PERMISSIBLE SHAFT LOADING



SHAFT ROTATION

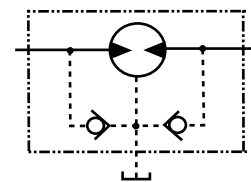


The permissible shaft load (Prad) is calculated from the distance (L) between the the point of load and the mounting face.

$$Prad = \frac{130400}{61.5+L} \text{ N (L in mm; } L \leq 80\text{mm)}$$

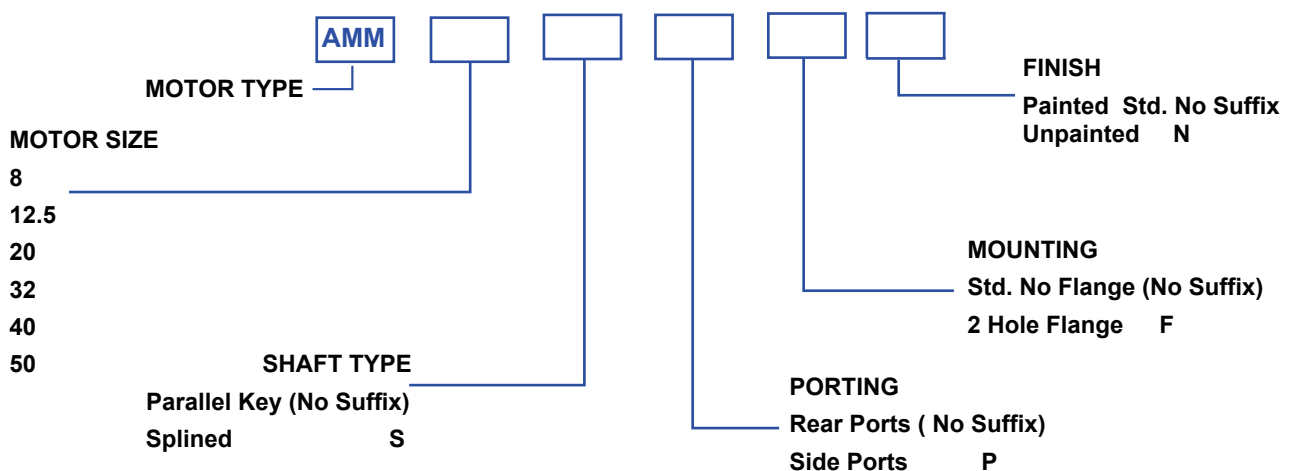
If the calculated shaft load exceeds the permissible, a flexible coupling must be used.

SYMBOL



| MAXIMUM RETURN PRESSURE WITHOUT DRAIN LINE. | SPEED rpm       | AMM 08 | AMM 12.5 | AMM 20 | AMM 32 | AMM 40 | AMM 50 |
|---|-----------------|--------|----------|--------|--------|--------|--------|
|   | cont. 0 - 100   |        | 140      | 140    | 140    | 140    | 140    |
| OR  | cont. 100 - 400 | 100    | 100      | 100    | 100    | 100    | 100    |
| MAXIMUM DRAIN LINE PRESSURE.                | cont. 400 - 800 | 50     | 50       | 50     | 50     | 50     | -      |
|   | cont. > - 800   | 20     | 20       | 20     | -      | -      | -      |
|   | int. 0 - max    | 140    | 140      | 140    | 140    | 140    | 140    |

ORDERING CODE



The policy of Adan Limited is one of continual development and the right is reserved to alter specifications without notice.

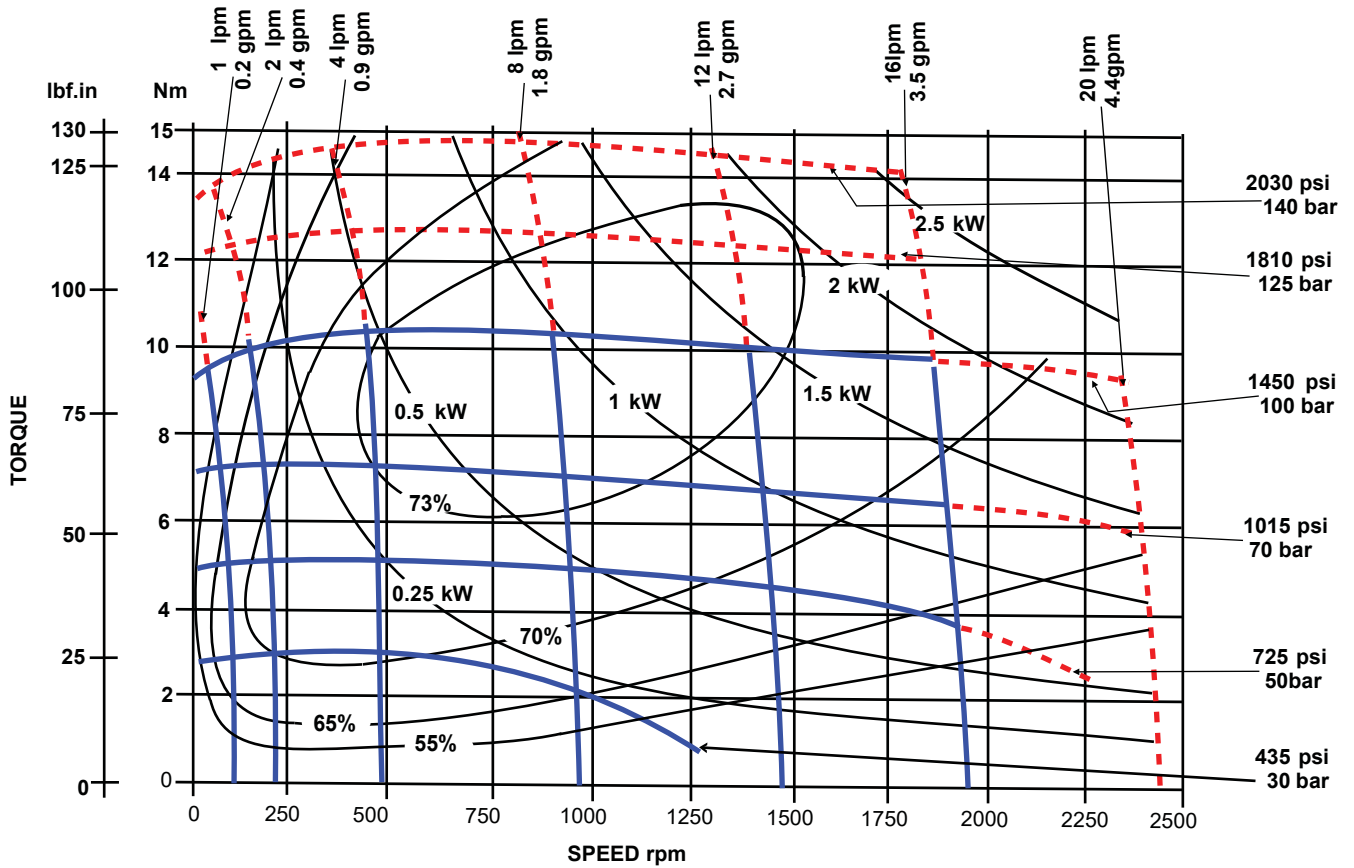


**ADAN LIMITED**  
 RIVERSIDE IND. ESTATE BOSTON LINCOLNSHIRE ENGLAND  
 Tel: +44 (01205) 311500  
 email: sales@adanltd.co.uk | website: www.adanltd.co.uk

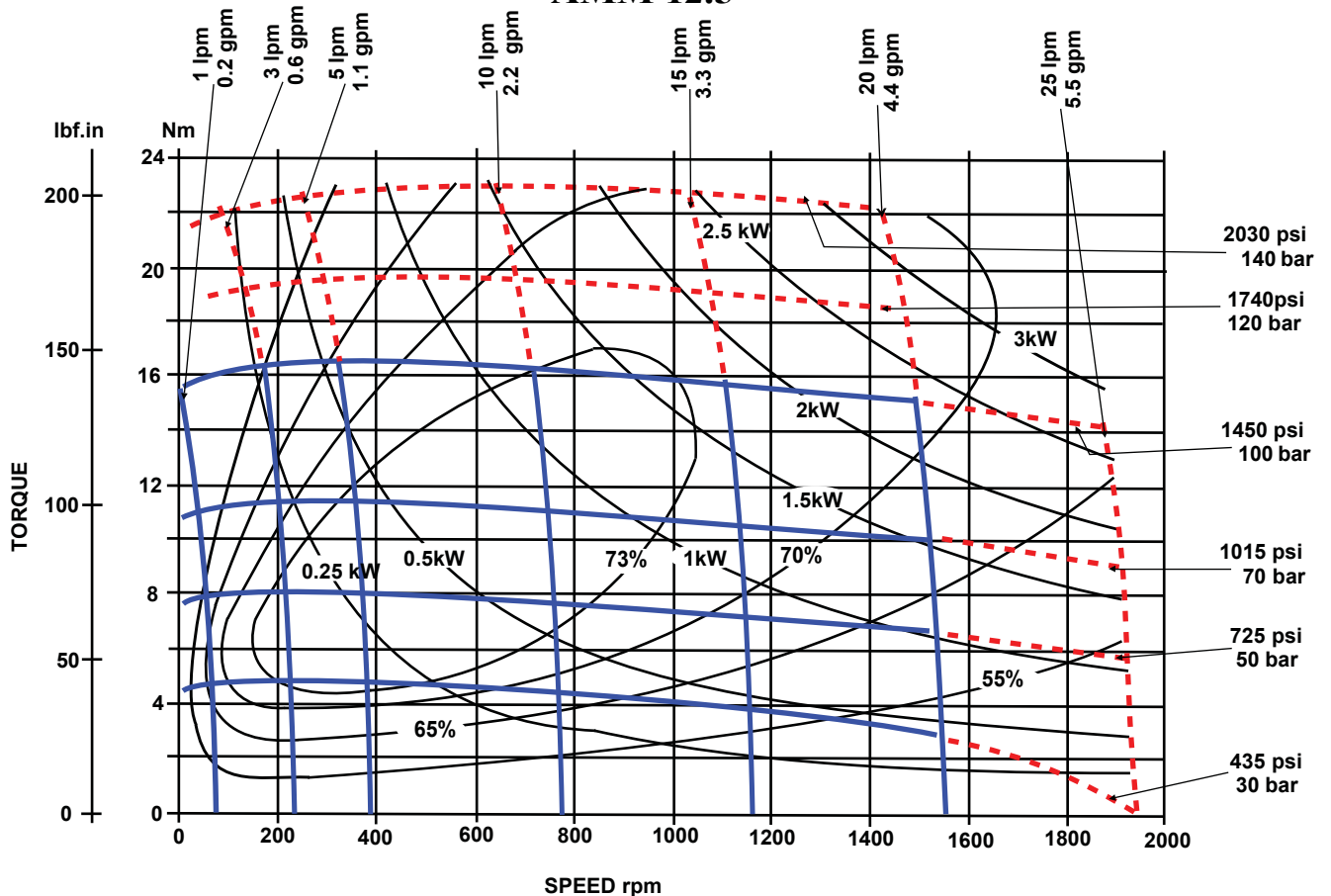


Solid lines represent continuous operation. Dotted lines represent intermittent operation permissible for 10% of every minute. Maximum pressure drop and maximum speed must not occur simultaneously.

AMM 08

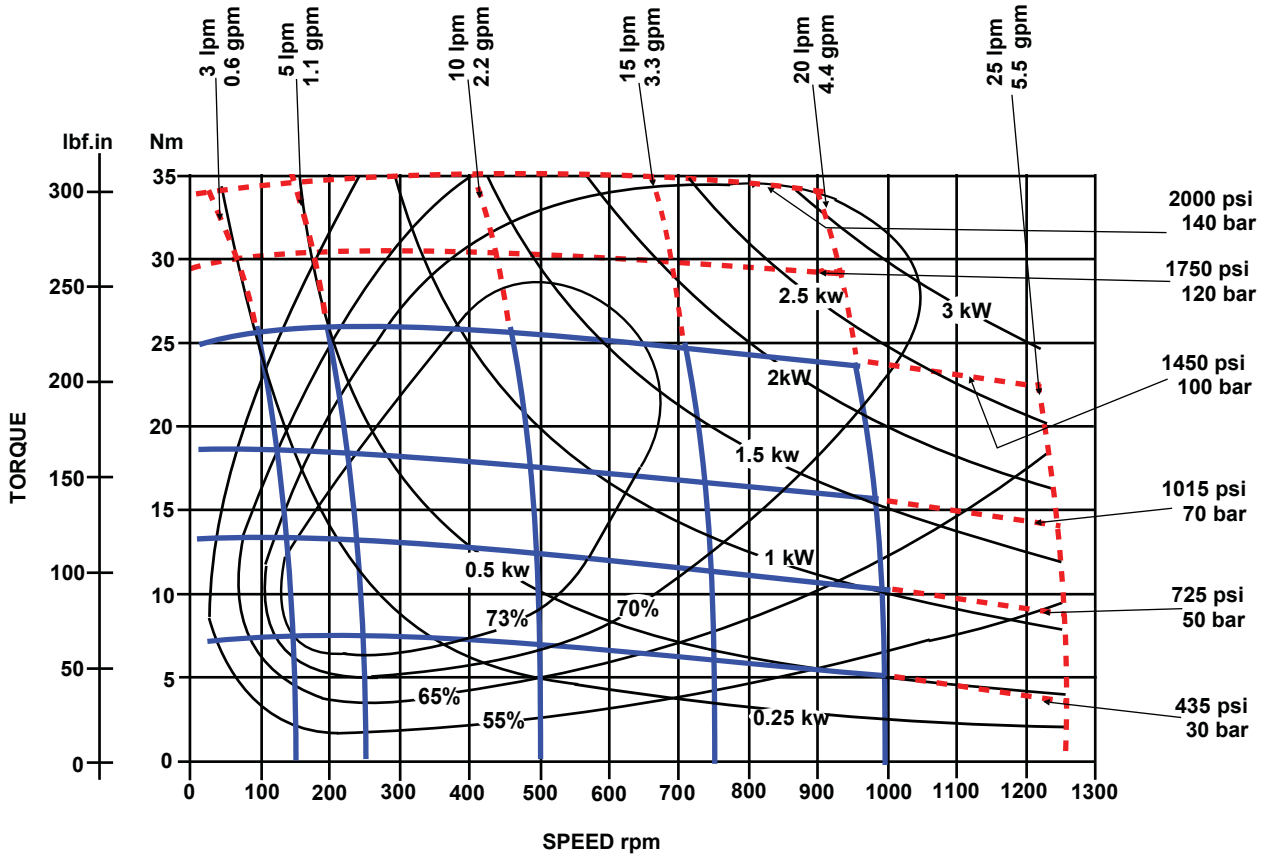


AMM 12.5

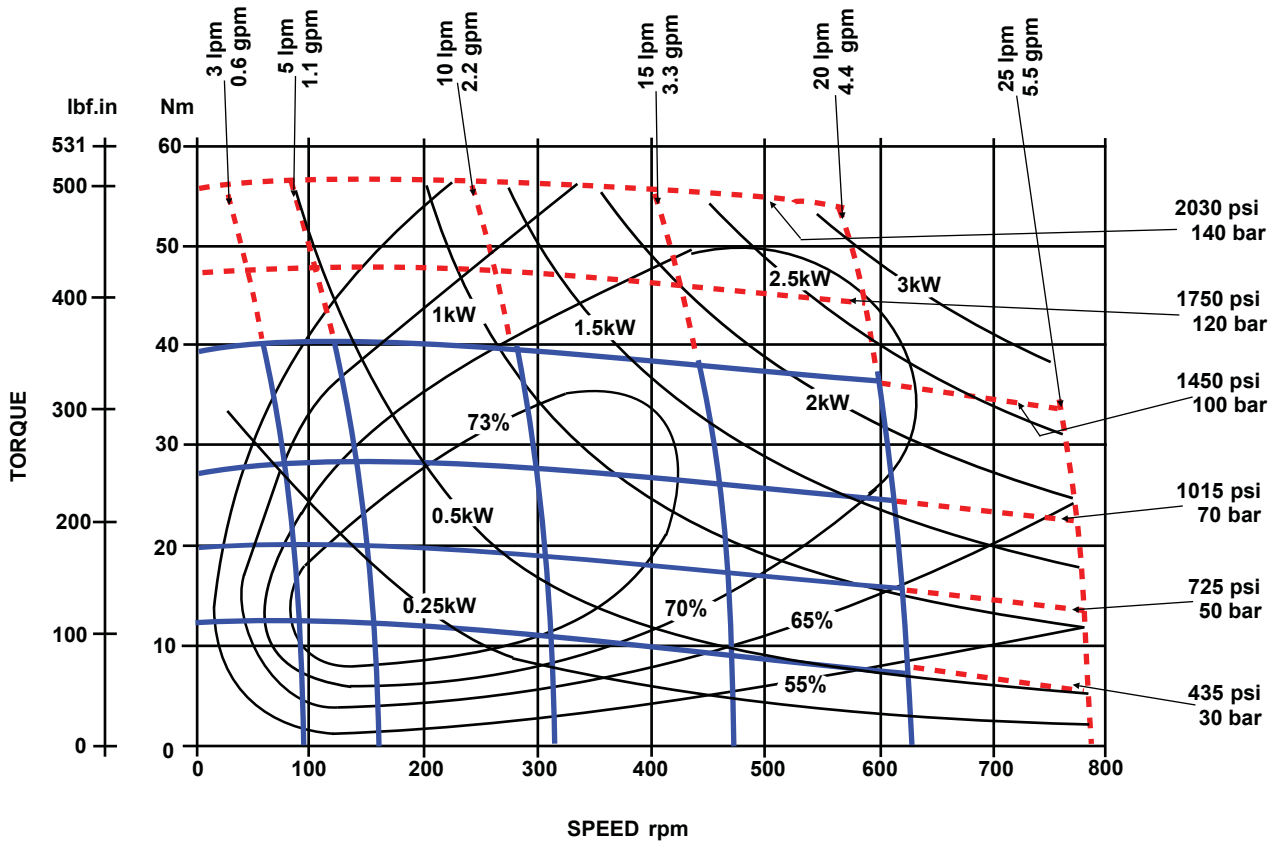


Solid lines represent continuous operation. Dotted lines represent intermittent operation permissible for 10% of every minute. Maximum pressure drop and maximum speed must not occur simultaneously.

AMM 20

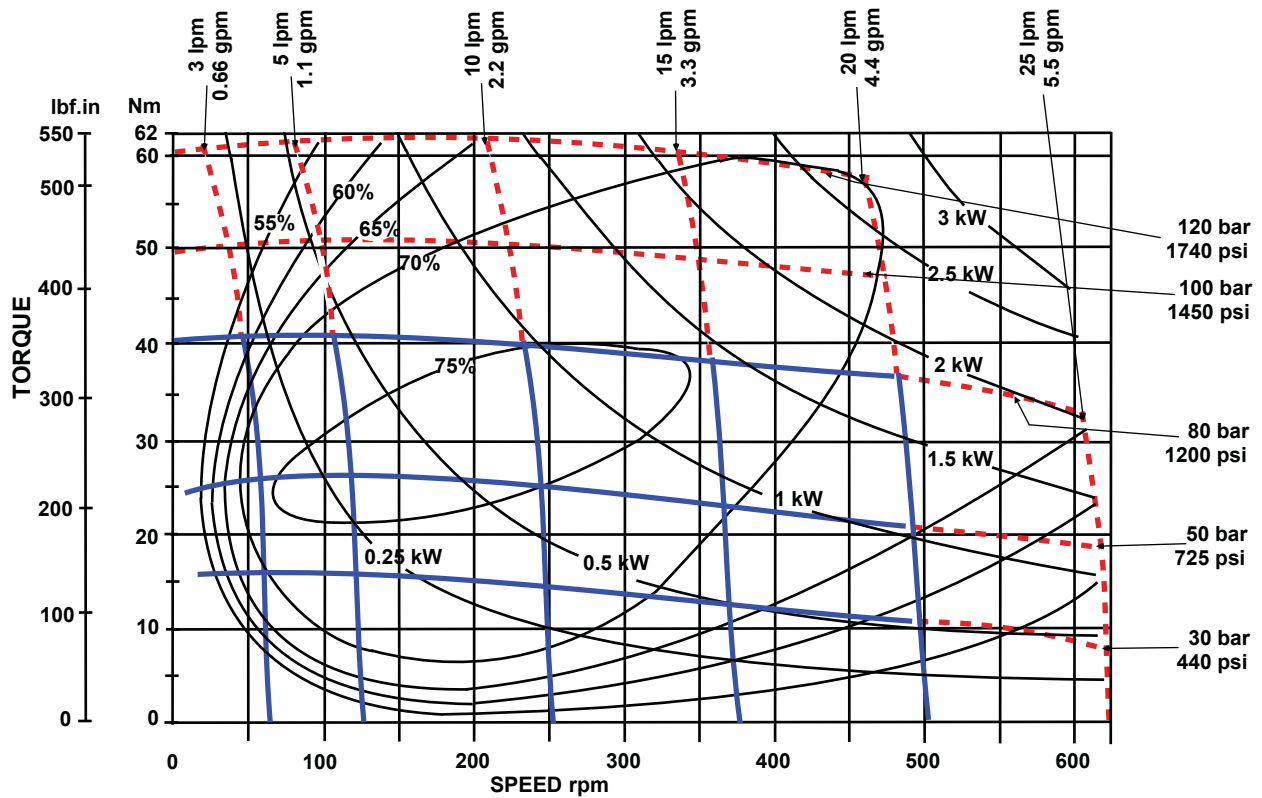


AMM 32

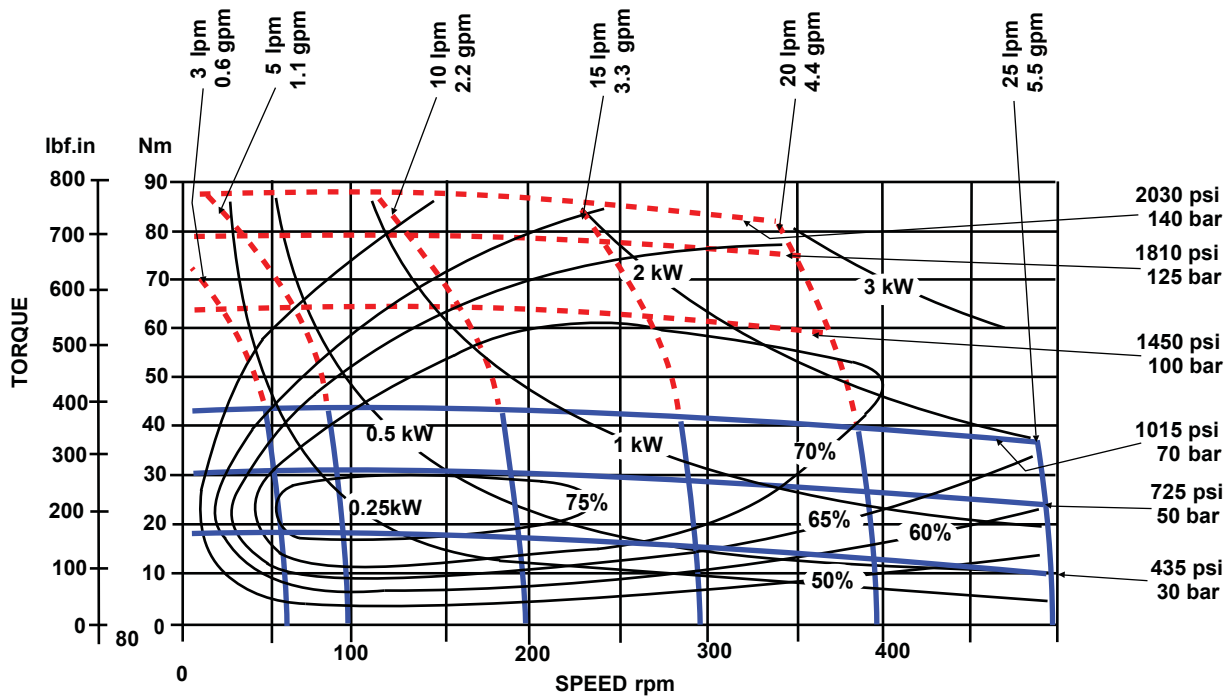


Solid lines represent continuous operation. Dotted lines represent intermittent operation permissible for 10% of every minute. Maximum pressure drop and maximum speed must not occur simultaneously.

**AMM 40**



**AMM 50**



The policy of Adan Limited is one of continual development and the right is reserved to alter specifications without notice.



**ADAN LIMITED**  
 RIVERSIDE IND. ESTATE BOSTON LINCOLNSHIRE ENGLAND  
 Tel: +44 (0)1205 311500  
 email: sales@adanltd.co.uk | website: www.adanltd.co.uk

